

Instructions for use
Gebrauchsanweisung
Directives d'utilisation
Gebruiksaanwijzing
Libretto di istruzioni
Instrucciones de uso
Instruções de utilização
Инструкции за използване
Návod k obsluze
Brugsanvisninger
Käyttöohjeet
Οδηγίες χρήσης
Használati útmutató
Bruksanvisning
Instrukcja użytkownika
Návod na používanie
Instrucțiuni de utilizare
Инструкция по эксплуатации
Bruksanvisning
Інструкції з використання



PACW29CO BK
PACW29HP BK

ENGLISH	Instructions for use	Page 4
DEUTSCH	Bedienungsanleitung	Seite 19
FRANÇAIS	Consignes d'utilisation	Page 34
NEDERLANDS	Gebruiksaanwijzing	Pagina 49

SAFETY INSTRUCTIONS

IMPORTANT TO BE READ AND OBSERVED

- Download the complete instruction manual on docs.Bauknecht.eu or call the phone number shown on the warranty booklet.
- Before using the appliance, read these safety instructions. Keep them nearby for future reference.
- These instructions and the appliance itself provide important safety warnings, to be observed at all times. The manufacturer declines any liability for failure to observe these safety instructions, for inappropriate use of the appliance or incorrect setting of controls.
- ⚠ The appliance uses flammable refrigerant (R290), the maximum refrigerant charged amount is 0.3kg. The appliance shall be installed, operated and stored in a room with a floor area larger than 14.5m². And the room should be higher than 2.2 m.
- ⚠ The appliance was tested within 0.95 MPa - 1.05 MPa of external static pressures.
- ⚠ Very young children (0-3 years) should be kept away from the appliance. Young children (3-8 years) should be kept away from the appliance unless continuously supervised. Children from 8 years old and above and persons with reduced physical, sensory or mental capabilities or lack of experience and knowledge can use this appliance only if they are supervised or have been given instructions on safe use and understand the hazards involved. Children must not play with the appliance. Cleaning and user maintenance must not be carried out by children without supervision.

PERMITTED USE

- ⚠ CAUTION: the appliance is not intended to be operated by means of an external switching device, such as a timer, or separate remote controlled system.
 - ⚠ This appliance is intended to be used in household and similar applications such as: hotels and working offices.
 - ⚠ This appliance is not for professional use.
 - ⚠ Always turn off the air conditioner by remote control or power button on product panel first.
- Do not use the power supply circuit breaker or pull off the plug to turn it off.
Disconnect the air conditioner from the power supply if it is to be left unused for a long period of time or during a thunder/lightning storm.

SAFETY INSTRUCTIONS

⚠ Never insert obstacle in the air outlet-risk of injury. Keep ventilation openings clear of any obstruction.

INSTALLATION

- ⚠ The appliance must be handled and installed by two or more persons - risk of injury. Use protective gloves to unpack and install - risk of cuts.
- ⚠ Installation, including electrical connections, and repairs must be carried out by a qualified technician according to national wiring rules.

Do not repair or replace any part of the appliance unless specifically stated in the user manual.

Keep children away from the installation site. After unpacking the appliance, make sure that it has not been damaged during transport.

In the event of problems, contact the dealer or your nearest After-sales Service.

Once installed, packaging waste (plastic, styrofoam parts etc.) must be stored out of reach of children - risk of suffocation.

The appliance must be disconnected from all remote power supply before any installation operation - risk of electric shock.

During installation, make sure the appliance does not damage the power cable - risk of fire or electric shock. Only activate the appliance when the installation has been completed.

⚠ The flexible exhaust hose allows placement of the air conditioner between 23" and 67" (60 cm and 170 cm) from window or door. The appliance with supplementary heater needs to be kept a minimum distance of 100 cm from the combustible surface.

SAFETY INSTRUCTIONS

- ⚠ Do not operate your air conditioner in a wet room such as a bathroom or laundry room.
- ⚠ Disconnect power cord before moving the appliance.

ELECTRICAL WARNINGS


- ⚠ The power supply must be of rated voltage with special circuitry for the appliance. The diameter of the power cord must comply with requirements.
- ⚠ It must be possible to disconnect the appliance from the power supply by unplugging. The appliance must be earthed in conformity with national electrical safety standards.
- ⚠ The use of a time-delay fuse or time-delay circuit breaker is recommended. All wiring must comply with local and national electrical regulations and be installed by a qualified electrician.
- ⚠ Do not use extension leads, multiple sockets or adapters. The electrical components must not be accessible to the user after installation. Do not use the appliance when you are wet or barefoot. Do not operate this appliance if it has a damaged power cable or plug, if it is not working properly, or if it has been damaged or dropped.
- ⚠ If the supply cord is damaged, it must be replaced with an identical one by the manufacturer, its service agent or similarly qualified persons in order to avoid a hazard-risk of electrical shock.
- ⚠ Ensure safe grounding and a grounding wire connected with the special grounding system of the building, installed by professionals. The appliance must be fitted with electrical leakage protection switch and an auxiliary circuit breaker with sufficient capacity. The circuit breaker must also have a magnetic and a thermal tripping function to ensure protection in case of short-circuit and overload.

Model	9K & 12K
Required capacity of circuit breaker	16A (Fuse Type: 9k A+ HPT,3.15A/250VAC; Others,T5A/250VAC)

CLEANING AND MAINTENANCE

- ⚠ **WARNING:** Ensure that the appliance is switched off and disconnected from the power supply before performing any maintenance operation; never use steam cleaning equipment - risk of electric shock.


DISPOSAL OF PACKAGING MATERIALS

- The packaging material is 100% recyclable and is marked with the recycle symbol . The various parts of the packaging must therefore be disposed of responsibly and in full compliance with local authority regulations governing waste disposal.

DISPOSAL OF HOUSEHOLD APPLIANCES

- This appliance is manufactured with recyclable or reusable materials. Dispose of it in accordance with local waste disposal regulations. For further information on the treatment, recovery and recycling of household electrical appliances, contact your local authority, the collection service for household waste or the store where you purchased the appliance. This appliance is marked in compliance with European Directive 2012/19/EU, Waste Electrical and Electronic Equipment (WEEE). By ensuring this product is disposed of correctly, you will help prevent negative consequences for the environment and human health.







The symbol  on the product or on the accompanying documentation indicates that it should not be treated as domestic waste but must be taken to an appropriate collection center for the recycling of electrical and electronic equipment.

DECLARATION OF CONFORMITY

- The refrigerant gas being in a hermetically sealed system (R290, GWP 3).Please refer to the rating label for detailed information.

SAFETY INSTRUCTIONS

Explanation of symbols displayed unit.

 Caution, risk of fire	WARNING	This symbol shows that this appliance uses a flammable refrigerant. If the refrigerant is leaked and exposed to an external ignition source, there is a risk of fire
	CAUTION	This symbol shows that the operation manual should be read carefully
	CAUTION	This symbol shows that a service personnel should be handling this equipment with reference to the installation manual
	CAUTION	This symbol shows that information is available such as the operating manual or installation manual

SAFETY INSTRUCTIONS FOR SERVICING APPLIANCE WITH SPESIFIC REFRIGERANT

- Download the complete manual for detailed installation, servicing, maintenance and repairing methods on docs.Bauknecht.eu.
- ⚠ Do not use means to accelerate the defrosting process or to clean, other than those recommended by the manufacturer.
- ⚠ The appliance shall be stored in a well-ventilated area where the room size corresponds to the room area as specified for operation; without continuously operating ignition sources (such as; open flames, an operating gas appliance or an operating electric heater).
- ⚠ Do not pierce or burn. Be aware that the refrigerants may not contain an odor. Any person who is involved with working on or breaking into a refrigerant circuit should hold a current valid certificate from an industry-accredited assessment authority, which authorizes their competence to handle refrigerants safely in accordance with an industry recognized assessment specification. Servicing shall only be performed as recommended by the equipment manufacturer. Maintenance and repair requiring the assistance of other skilled personnel shall be carried out under the supervision of the person competent in the use of flammable refrigerants. Appliance shall be installed, operated and stored in a room with a floor area larger than 14.5 m². The installation of pipe-work shall be kept to a room with a floor area larger than 14.5 m². The pipe-work shall be compliance with national gas regulations. The maximum refrigerant charge amount is 0.3 kg.

When flared joints are reused , the flare part shall be re fabricated.

1. Transport of equipment containing flammable refrigerants shall be compliant with the transport regulations.
2. Marking of equipment using signs shall be compliant with local regulations.
3. Disposal of equipment using flammable refrigerants shall be compliant with national regulations.

SAFETY INSTRUCTIONS

4. The storage of equipment / appliances should be in accordance with the manufacturer's instructions.
5. Storage of packed (unsold) equipment Storage package protection should be constructed such that mechanical damage to the equipment inside the package will not cause a leak of the refrigerant charge. The maximum number of pieces of equipment permitted to be stored together will be by local regulations.
6. Information on servicing.

6-1 Checks to the area

Prior to beginning work on system containing flammable refrigerants, safety checks are necessary to ensure that the risk of ignition is minimized. For repair to the refrigerating system the following precautions shall be complied with prior to conducting work on the system.

6-2 Work procedure

Work shall be undertaken under a controlled procedure so as to minimize the risk of flammable gas or vapour being present while the work is being performed.

6-3 General work area

All maintenance staff and others working in the local area shall be instructed on the nature of work being carried out. Work in confined spaces shall be avoided.

6-4 Checking for presence of refrigerant

The area shall be checked with an appropriate refrigerant detector prior to and during work, to ensure the technician is aware of potentially flammable atmospheres. Ensure that the leak detection equipment being used is suitable for use with flammable refrigerants, i.e. non-sparking adequately sealed or intrinsically safe.

6-5 Presence of fire extinguisher

If any hot work is to be conducted on the refrigerating equipment or any associated parts appropriate fire extinguishing equipment shall be available to hand. Have a dry powder or CO2 fire extinguisher adjacent to the charging area.

6-6 No ignition sources

No person carrying out work in relation to a refrigerating system which involves exposing any pipe work that contains or has contained flammable refrigerant shall use any sources of ignition in such a manner that it may lead to the risk of fire or explosion. All possible ignition sources, including cigarette smoking, should be kept sufficiently far away from the site of installation, repairing, removing and disposal, during which flammable refrigerant can possibly be released to the surrounding space. Prior to work taking place, the area around the equipment is to be surveyed to make sure that there are no flammable hazards or ignition risks. "No Smoking" signs shall be displayed.

6-7 Ventilated area

Ensure that the area is in the open or that it is adequately ventilated before breaking into the system or conducting any hot work. A degree of ventilation shall continue during the period that the work is carried out. The ventilation should safely disperse any released refrigerant and preferably expel it externally into the atmosphere.

SAFETY INSTRUCTIONS

6-8 Checks to the refrigerating equipment

Where electrical components are being changed, they shall be fit for the purpose and to the correct specification. At all times the manufacturer's maintenance and service guidelines shall be followed. If in doubt consult the manufacturer's technical department for assistance. The following checks shall be applied to installations using flammable refrigerants:

- The actual refrigerant charge is in accordance with the room size within which the refrigerant containing parts are installed;
- The ventilation machinery and outlets are operating adequately and are not obstructed;
- If an indirect refrigerating circuit is being used, the secondary circuit shall be checked for the presence of refrigerant;
- Marking to the equipment continues to be visible and legible. Markings and signs that are illegible shall be corrected;
- Refrigerating pipe or components are installed in a position where they are unlikely to be exposed to any substance which may corrode refrigerant containing components, unless the components are constructed of materials which are inherently resistant to being corroded or are suitably protected against being so corroded.

6-9 Checks to electrical devices

Repair and maintenance to electrical components shall include initial safety checks and component inspection procedures. If a fault exists that could compromise safety, then no electrical supply shall be connected to the circuit until it is satisfactory dealt with. If the fault cannot be corrected immediately but it is necessary to continue operation, an adequate temporary solution shall be used. This shall be reported to the owner of the equipment so all parts are advised. Initial safety checks shall include:

- That capacitors are discharged: this shall be done in a safe manner to avoid possibility of sparking;
- That there no live electrical components and wiring are exposed while charging, recovering or purging the system;
- That there is continuity of earth bonding.

7. Repairs to sealed components

During repairs to sealed components, all electrical supplies shall be disconnected from the equipment being worked upon prior to any removal of sealed electrical supply to equipment during servicing, then a permanently operating form of leak detection shall be located at the most critical point to warn of a potentially hazardous situation. Particular attention shall be paid to the following to ensure that by working on coelectrical components. The casing is not altered in such a way that the level of protection is affected. This shall include damage to cables, excessive number of connections, terminals not made to original specification, damage to seals, incorrect fitting of glands, etc.

Ensure that apparatus is mounted securely. Ensure that seals or sealing materials have not degraded such that they no longer serve the purpose of preventing the ingress of flammable atmospheres. Replacement parts shall be in accordance with the manufacturer's specifications.

NOTE:

The use of silicon sealant may inhibit the effectiveness of some types of leak detection equipment. Intrinsically safe components do not have to be isolated prior to working on them.

8. Repair to intrinsically safe components

SAFETY INSTRUCTIONS

Do not apply any permanent inductive or capacitance loads to the circuit without ensuring that this will not exceed the permissible voltage and current permitted for the equipment in use. Intrinsically safe components are the only types that can be worked on while live in the presence of a flammable atmosphere. The test apparatus shall be at the correct rating. Replace components only with parts specified by the manufacturer. Other parts may result in the ignition of refrigerant atmosphere from a leak.

9. Cabling

Check that cabling will not be subject to wear, corrosion, excessive pressure, vibration, sharp edges or any other adverse environmental effects. The check shall also take into account the effects of aging or continual vibration from sources such as compressors or fans.

10. Detection of flammable refrigerants

Under no circumstances shall potential sources of ignition be used in the searching for or detection of refrigerant leaks. A halide torch (or any other detector using a naked flame) shall not be used.

10. Leak detection methods

The following leak detection methods are deemed acceptable for systems containing flammable refrigerants:

- Electronic leak detectors shall be used to detect flammable refrigerants, but the sensitivity may not be adequate, or may need re-calibration (Detection equipment shall be calibrated in a refrigerant-free area.)
- Ensure that the detector is not a potential source of ignition and is suitable for the refrigerant used.
- Leak detection equipment shall be set at a percentage of the LFL of the refrigerant and shall be calibrated to the refrigerant employed and the appropriate percentage of gas (25% maximum) is confirmed.
- Leak detection fluids are also suitable for use with most refrigerants but the use of detergents containing chlorine shall be avoided as the chlorine may react with the refrigerant and corrode the copper pipe-work.
- If a leak is suspected, all naked flames shall be removed/ extinguished.
- If a leakage of refrigerant is found which requires brazing, all of the refrigerant shall be recovered from the system, or isolated (by means of shut off valves) in a part of the system remote from the leak.

11. Removal and evacuation

- When breaking into the refrigerant circuit to make repairs - or for any other purpose conventional procedures shall be used. However, it is important that best practice is followed since flammability is a consideration.

The following procedure shall be adhered to:

- Remove refrigerant;
- Purge the circuit with inert gas;
- Evacuate;
- Purge with inert gas;
- Open the circuit by cutting or brazing.

The refrigerant charge shall be recovered into the correct recovery cylinders. The system shall be purged with OFN to render the appliance safe for flammable refrigerants. This process may need to be repeated several times. Compressed air or oxygen shall not be

SAFETY INSTRUCTIONS

used for this task. Purging shall be achieved by breaking to fill until the working pressure is achieved, then venting to atmosphere, and finally pulling down to a vacuum. This process shall be repeated until no refrigerant is within the system. When the final charge is used, the system shall be vented down to atmospheric pressure to enable work. This operation is absolutely vital if brazing operations, on the pipe-work are to take place. Ensure that the outlet for the vacuum pump is not close to any potential ignition sources and there is the vacuum in the system with OFN and continuing ventilation available.

12. Charging procedures

In addition to conventional charging procedures, the following requirements shall be followed:

- Ensure that contamination of different refrigerants does not occur when using charging equipment.
- Hoses or lines shall be as short as possible to minimize the amount of refrigerant contained in them.
- Cylinders shall be kept in an appropriate position according to the instructions.
- Ensure that the refrigerating system is earthed prior to charging the system with refrigerant.
- Label the system when charging is complete (if not already).
- Extreme care shall be taken not to overfill the refrigerating system. Prior to recharging the system it shall be pressure tested with OFN.

The system shall be leak tested on completion of charging but prior to commissioning.

A follow up leak test shall be carried out prior to leaving the site.

13. Decommissioning

Before carrying out this procedure, it is essential that the technician is completely familiar with the equipment and all its detail. It is recommended good practice that all refrigerants are recovered safely. Prior to the task being carried out, an oil and refrigerant sample shall be taken in case analysis is required prior to re-use of recovered refrigerant. It is essential that electrical power is available before the task is commenced.

- a. Become familiar with the equipment and its operation.
- b. Isolate system electrically.
- c. Before attempting the procedure ensure that:
 - Mechanical handling equipment is available, if required, for handling refrigerant cylinders;
 - All personal protective equipment is available and being used correctly;
 - The recovery process is supervised at all times by a competent person;
 - Recovery equipment and cylinders conform to the appropriate standards.
- d. Pump down refrigerant system, if possible.
- e. If a vacuum is not possible, make a manifold so that refrigerant can be removed from various parts of the system.
- f. Make sure that cylinder is situated on the scales before recovery takes place.
- g. Start the recovery machine and operate in accordance with instructions.
- h. Do not overfill cylinders. (No more than 80 % volume liquid charge).
- i. Do not exceed the maximum working pressure of the cylinder, even temporarily.
- j. When the cylinders have been filled correctly and the process completed, make sure that the cylinders and the equipment are removed from site promptly and all isolation valves

SAFETY INSTRUCTIONS

on the equipment are closed off.

- k. Recovered refrigerant shall not be charged into another refrigerating system unless it has been cleaned and checked.

14. Labelling

Equipment shall be labelled stating that it has been de-commissioned and emptied of refrigerant. The label shall be dated and signed. Ensure that there are labels on the equipment stating the equipment contains flammable refrigerant.

15. Recovery

When removing refrigerant from a system, either for servicing or decommissioning, it is recommended good practice that all refrigerants are removed safely. When transferring refrigerant into cylinders, ensure that only appropriate refrigerant recovery cylinders are employed. Ensure that the correct number of cylinders for holding the total system charge is available. All cylinders to be used are designated for the recovered refrigerant and labelled for that refrigerant (i.e. special cylinders for the recovery of refrigerant). Cylinders shall be complete with pressure relief valve and associated shutoff valves in good working order. Empty recovery cylinders are evacuated and, if possible, cooled before recovery occurs. The recovery equipment shall be in good working order with a set of instructions concerning the equipment that is at hand and shall be suitable for the recovery of flammable refrigerants. In addition, a set of calibrated weighing scales shall be available and in good working order. Hoses shall be complete with leakfree disconnect couplings and in good condition. Before using the recovery machine, check that it is in satisfactory working order, has been properly maintained and that any associated electrical components are sealed to prevent ignition in the event of a refrigerant release. Consult manufacturer if in doubt. The recovered refrigerant shall be returned to the refrigerant supplier in the correct recovery cylinder, and the relevant Waste Transfer Note arranged. Do not mix refrigerants in recovery units and especially not in cylinders. If compressors or compressor oils are to be removed, ensure that they have been evacuated to an acceptable level to make certain that flammable refrigerant does not remain within the lubricant. The evacuation process shall be carried out prior to returning the compressor to the suppliers. Only electric heating to the compressor body shall be employed to accelerate this process. When oil is drained from a system, it shall be carried out safely. When moving or relocating the air conditioner, consult experienced service technicians for disconnection and reinstallation of the unit. Do not place any other electrical products or household belongings under indoor unit or outdoor unit. Condensation dripping from the unit might get them wet, and may cause damage or malfunction of your property. To keep ventilation openings clear of obstruction. The appliance shall be stored in a well-ventilated area where the room size corresponds to the room area as specified for operation. The appliance shall be stored in a room without continuously operating open flames (for example an operating gas appliance) and ignition sources (for example an operating electric heater). Reusable mechanical connectors and flared joints are not allowed.

User Interface



Start to use your air conditioner



POWER

1. Press the power button to start or stop the operation of your appliance.



MODE

2. Press the mode button to select the operation mode in sequence of Cool Dry, Fan or Heat.



3. Press the temperature adjustment button to set the desired temperature.



FAN

4. Press the FAN button to choose the desired fan speed in sequence of High, Mid or Low.



Filter Reset

1. When the Filter Reset indicator light is lit, remove, clean and replace the air filter. See "Cleaning the Air Filter".
2. Press and release FILTER button after replacing the air filter.

NOTE: After 360 hours of fan operating time, the Filter indicator light will turn on. It will remain on for 180 hours or until you press FILTER button.

After 180 hours, it will turn off automatically.

IMPORTANT NOTE:

- * When the air conditioner is turned on for the first time after it's plugged in, it will run in the 6th Sense Mode.
- * The air conditioner display shows the setting temperature.
Only on standby mode, the display shows the ambient temperature.
- * When changing modes while the air conditioner is operating, the compressor will stop for 3 to 5 minutes before restarting.
If a button is pressed during this time, the compressor will not restart for another 3 to 5 minutes.
- * In Cooling or Dry mode, the compressor and condenser fan will stop when the room temperature reaches the set temperature
- * In Fan Only mode, the temperature can NOT be set.
- * Heating is NOT available for Cooling only air conditioner.
- * Below operation modes can only be set by remote controller.

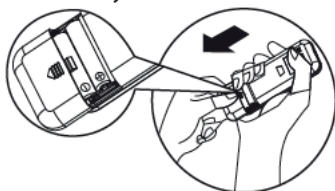


- * In the event of a power failure, your air conditioner will operate at the previous settings when the power is restored.
- * If the unit is operating in UNLIKELY VERY HUMIDITY environment, water will be collected in the tank inside the unit. The air conditioner will stop once the water tank is full, and the screen will display "E5" to inform you to empty the internal container. There is a plastic tube at the back of the appliance, move the appliance to a safe place, lay down the plastic tube for water drain.

Remote controller

Insert the batteries into RC

1. Insert a pin and gently press down on the battery cover and push in the direction of the arrow to remove, as shown.
2. Insert 2 AAA batteries (1.5V) into the compartment. Ensure that "+" and "-" polarity is correctly positioned.
3. Close the battery cover on the remote control.



• Remote Control presetting

Each time the batteries are replaced in the remote controller, the remote controller pre-set at Heat Pump mode. The heat pump AC remote controller can be used to control the cool only AC models.

- The remote control will operate the air conditioner at a distance of up to 7m.

Note: please follow the instruction which matches to the remote controller you receive for Air Conditioner operation.

Function description of buttons

1. ON OFF BUTTON

Starts and/or Stops the appliance by pressing this button.

2. MODE BUTTON

Used to select the operation mode.

3. FAN BUTTON

Used to select fan speed in sequence auto, high, medium or low.

4-5. TEMPERATURE BUTTON

Used to select the room temperature. Used to set time in timer mode and real time clock.

6. 6th SENSE BUTTON

Sets or cancels 6th Sense operation. In this mode, temperature and fan speed are automatically set based on the actual room temperature.

7. SWING BUTTON

Stops or starts horizontal adjustment louver swinging and sets the desired up/down airflow direction.

8. SLEEP BUTTON

1) Short press, sets or cancels Sleep Mode operation. Sleep Mode can be set in Cooling Heating or Dry operation mode, this function gives you a more comfortable environment for sleep.

2) Long press, press 3 seconds to turn on or turn off display light on unit.

9. AROUND U BUTTON

Used to start or cancel Around U function. When you press this button, remote control transmits the actual room temperature around it to the indoor unit, and the appliance will operate according to this temperature to let you feel more comfortable.

10. TIMER BUTTON

Used to set or cancel the timer on operation.

Used to set or cancel the timer off operation.

11. SILENT BUTTON

Used to set or cancel the Silent operation. Press silent button to let the unit operate at low noise level to get quiet and comfortable room environment.

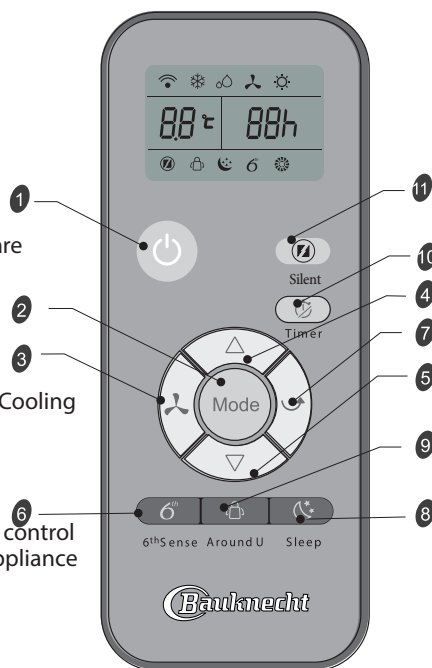
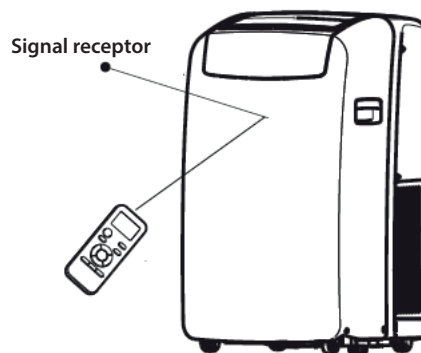
Note: Under extreme environmental conditions, it is possible to notice a temporary slight increase in noise due to the need of reaching the comfort temperature quickly.

Symbols on RC display

	Cooling indicator		Auto fan speed		6th Sense indicator		Signal transmission
	Dry indicator		High fan speed		Sleep indicator		Display set timer
	Fan only indicator		Medium fan speed		Around U indicator		Display set temperature
	Heating indicator		Low fan speed		Silent indicator		

Use RC to control the appliance

- To operate the appliance by remote control, point the remote control at the receiving device on the indoor unit, to ensure receiving sensibility.
- To send a message from remote control, the symbol will flash for 1 second. On receipt of the message, the appliance will emit a beep.



Maintenance

Draining the Air Conditioner

(Please connect the drain hose on heating mode, otherwise the unit will stop running after reaches warning level.)

1. Press ON/OFF to turn off the air conditioner.
2. Unplug air conditioner or disconnect power.
3. Move the appliance gently and stably to a draining location or outside to drain water. Do not move the unit before water is drained out completely.
4. Remove the secondary drain plug and drain water completely.
5. Remove the primary drain hose from the hose clip. Remove the drain hose plug from the end of the primary drain hose and drain water completely.

NOTE: If air conditioner will be stored after use, see "Storing After Use"

6. Reinstall the drain hose plug and the secondary drain plug.
7. Reattach the primary drain hose to the drain hose clip.
8. Reposition the air conditioner.
9. Plug in air conditioner or reconnect power.
10. Press ON/OFF to start the air conditioner.

Cleaning the Air Filter

1. Press ON/OFF to turn off the air conditioner.
2. Open the filter panel door on the back of the air conditioner and remove it.
3. Remove the air filter from the filter panel door.
4. Use a vacuum cleaner to clean the filter. If filter is very dirty, wash filter in warm water with a mild detergent.

NOTE: Do not wash filter in the dishwasher or use any chemical cleaners.

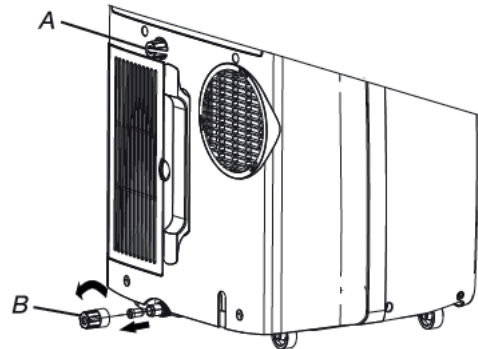
5. Air dry filter completely before replacing to ensure maximum efficiency.
6. Reattach the air filter to the filter panel door.
7. Reinstall filter panel door.
8. Press ON/OFF to start the air conditioner.

Cleaning the Outside

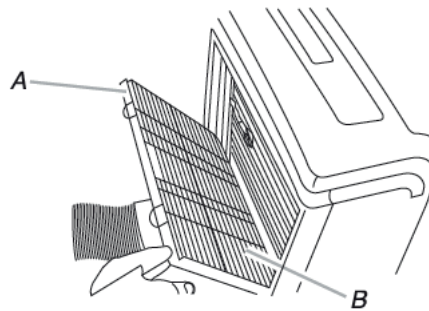
1. Unplug air conditioner or disconnect from power.
2. Remove the air filter and clean separately. See "Cleaning the Air Filter."
3. Wipe outside of the air conditioner with a soft, damp cloth.
4. Plug in air conditioner or reconnect power.
5. Press ON/OFF to start the air conditioner.

Disposal of the batteries

To protect natural resources and to promote material reuse, please separate batteries from other types of waste and recycle them through your local, free battery return system.



A. Secondary drain plug
B. Drain hose plug



A. Filter panel door
B. Air filter

Storing After Use

1. Drain the water (see the "Draining the Air Conditioner")
2. Run the air conditioner set to Fan Only for approximately 12 hours to dry the air conditioner.
3. Unplug air conditioner.
4. Remove flexible exhaust hose and store with air conditioner in a clean, dry area. See "Installation Instructions."
5. Remove window kit and store with air conditioner in a clean, dry area. See "Installation Instructions."
6. Remove the filter and clean. See "Cleaning the Air Filter."
7. Clean the outside of air conditioner. See "Cleaning the Outside."
8. Reinstall filter.
9. Remove the batteries and store the remote control with air conditioner in a clean, dry area.

Installation instruction

Tools and Parts

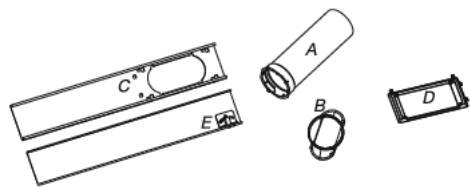
Gather the required tools and parts before starting installation. Read and follow the instructions provided with any tools listed here.

1. Tools needed

- Phillips screwdriver
- Saw
- Cordless drill and 1/8" bit
- Scissors
- Pencil

2. Parts Supplied

The company provides only one plan to install local air conditioner. See "Install local Air Conditioner".



- A.** Flexible exhaust hose
- B.** Window exhaust adapter
- C.** Outer slider section
- D.** Rain Cover
- E.** Inner slider section

Location Requirements

NOTES:

- The flexible exhaust hose allows placement of the air conditioner between 23 1/2" and 67" (60 cm and 170 cm) from window or door.
The appliance with supplementary heater needs to keep a minimum distance of 100 cm from the combustible surfaces. The appliance shall be installed, operated and stored in a room which floor area larger than 14.5 m² and higher than 2.2 m. Local air conditioners are designed as supplemental cooling to local areas within a room.
- To ensure proper ventilation, keep the required distance from the return air outlet to the wall or other obstacles at least 23 1/2" (60 cm).
- Do not block air outlet.
- Provide easy access to grounded outlet.

Electrical Requirements

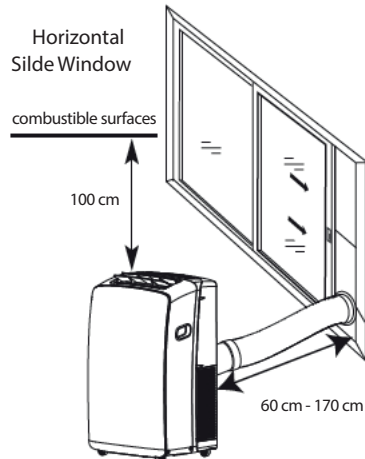
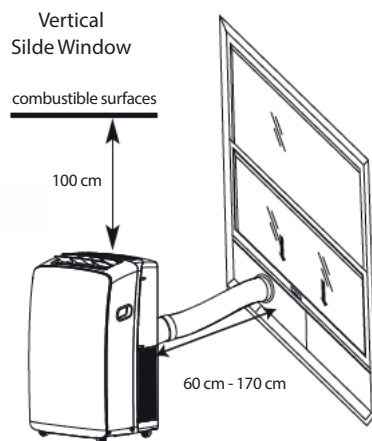
- The local air conditioner should be connected to a 220-240V / 50Hz, 20-amp fused grounded outlet.
- The use of a time-delay fuse or time-delay circuit breaker is recommended.
- All wiring must comply with local and national electrical regulations and be installed by a qualified electrician. If you have any questions, contact a qualified electrician.

Use your power supply cord:

Plug power supply cord into a grounded outlet.

NOTES:

- A damaged power supply cord must be replaced with a new power supply cord obtained from the product manufacturer and must not be repaired.
- Working temperature of Cooling 21°C- 35°C
Working temperature of Heating 7°C-27°C



For detail installation information, please download from: docs.Bauknecht.eu

Troubleshooting

Operation problems are often due to minor causes, please check and refer to the following chart before contacting the service. This may save time and unnecessary expenses.

Trouble	Analysis
Air conditioner does not operate	<ul style="list-style-type: none"> The power supply cord is unplugged. Plug into a grounded outlet. See "Electrical Requirements." A household fuse has blown, or a circuit breaker has tripped. Replace the fuse, or reset the circuit breaker. See "Electrical Requirements." The On/Off button has not been pressed. Press ON/OFF. The local power has failed. Wait for power to be restored. Time-delay fuse or circuit breaker of the wrong capacity is being used. Replace with a timedelay fuse or circuit breaker of the correct capacity. See "Electrical Requirements."
Air conditioner blows fuses or trips circuit breakers	<ul style="list-style-type: none"> Too many appliances are being used on the same circuit. Unplug or relocate appliances that share the same circuit. You are trying to restart the air conditioner too soon after turning off air conditioner. Wait at least 3 minutes after turning off air conditioner before trying to restart it. You have changed modes. Wait at least 3 minutes after turning off air conditioner before trying to restart the appliance.
Air conditioner seems to run too much	<ul style="list-style-type: none"> Is there a door or window open? Keep doors and windows closed. In cooling mode: the air conditioner is in a heavily occupied room, or heat producing appliances are in use in the room. Use exhaust vent fans while cooking or bathing and try not to use heat producing appliances during the hottest part of the day. Local air conditioners are designed as supplemental cooling to local areas within a room. A higher capacity air conditioner may be required, depending on the size of the room being cooled. In heating mode: the air conditioner is in a very cool room. Local air conditioners are designed as supplemental heating to local areas within a room. A higher capacity air conditioner may be required, depending on the size of the room being heated up.
Air conditioner runs for a short time only, but room is not cool or hot	<ul style="list-style-type: none"> Set temperature is close to room temperature. Lower or Higher set temperature. See "Operating mode description".
Display error code	<ul style="list-style-type: none"> If the unit display error code E5, it is water full in the unit, you should drain the water, see "Draining the air conditioner". After draining, you can operate the unit. If the unit display error code E1/E2/E3/E6/E7/EA, please contact customer service.
Air conditioner runs, but does not cool/hot	<ul style="list-style-type: none"> The filter is dirty or obstructed by debris. Clean the filter. Air outlet is blocked. Clear air outlet. The setting temperature is not compatible. In cooling mode: set temperature is too high. Lower set temperature. In heating mode: set temperature is too low. Higher set temperature
Air conditioner cycles on and off too much	<ul style="list-style-type: none"> The air conditioner is not properly sized for your room. Check the cooling/heating capabilities of your local air conditioner. Local air conditioners are designed as supplemental cooling/heating to local areas within a room. The filter is dirty or obstructed by debris. Clean the filter. In cooling mode there is excessive heat or moisture (open container cooking, showers, etc.) in the room. Use a fan to exhaust heat or moisture from the room. Try not to use heat-producing appliances during the hottest part of the day. In heating mode the temperature of the environment is too high. Do not use your air conditioner when the temperature of the environment is too high. The louvers are blocked. Install the air conditioner in a location where the louvers are free from curtains, blinds, furniture, etc. The outside temperature is below 18°C. Do not try to operate your air conditioner in the cooling mode when the outside temperature is below 18°C.

Note: If the problems still have, turn off the appliance and disconnect from power supply, then contact the nearest Whirlpool Authorized Service Center. Do not attempt to move, repair, disassemble, or modify the appliance by yourself.

AFTER SALES SERVICE

Before contacting the Customer Care Centre:

1. Try to solve the problem yourself based on the descriptions given in the "Troubleshooting".
2. Turn the appliance off and restart it to see if the fault persists.

If after carrying out the above checks, the fault persists, contact the Customer Care Centre.

Please give:

- a short description of the fault;
- the exact model of the air conditioner;
- the service number (this is the number found below the word Service on service sticker which is located on the side or on the bottom of the indoor unit).
- The service number can also be found in the warranty booklet;
- your full address;
- your telephone number.

If repair work has to be carried out, contact the **Customer Care Centre** (Use of original spare parts and a proper repair is guaranteed).

You will need to present the original invoice.

Failure to comply with these instructions could compromise the safety and quality of your product.

SERVICE 0000 000 00000



Note: if you want the full manual for your appliance, please help to download it from website through below link: docs.Bauknecht.eu using QR code

**Whirlpool EMEA
Via Pisacane 1
20016 PERO (MI) ITALY**



SICHERHEITSHINWEISE

DIESE MUSS GELESEN UND BEACHTET WERDEN

- Laden Sie die komplette Bedienungsanleitung auf docs.Bauknecht.eu runter oder rufen Sie die Telefonnummer auf dem Garantieheft an.
- Diese Sicherheitsanweisungen vor dem Gebrauch durchlesen. Diese Anweisungen zum Nachschlagen leicht zugänglich aufbewahren.
- In diesen Anweisungen sowie auf dem Gerät selbst werden wichtige Sicherheitshinweise angegeben, die durchgelesen und stets beachtet werden müssen. Der Hersteller übernimmt keine Haftung für die Nichtbeachtung dieser Sicherheitshinweise, für unsachgemäße Verwendung des Geräts oder falsche Bedienungseinstellung.
- ⚠ Das Gerät verwendet ein entzündliches Kältemittel (R290), die maximale Füllmenge für das Kältemittel beträgt 0,3kg. Das Gerät sollte in einem Raum mit einer Grundfläche von mehr als 14.5m² installiert, betrieben und gelagert werden. Zudem sollte der Raum höher als 2,2 m sein.
 - ⚠ Das Gerät wurde im verfügbaren externen statischen Druckbereich von 0,95 MPa - 1,05 MPa getestet.
- ⚠ Babys und Kleinkinder (0-3 Jahre) müssen vom Gerät ferngehalten werden. Jüngere Kinder (3-8 Jahre) müssen vom Gerät ferngehalten werden, es sei denn, sie werden ständig beaufsichtigt. Dieses Gerät darf von Kindern ab 8 Jahren sowie Personen mit herabgesetzten physischen, sensorischen oder geistigen Fähigkeiten und Mangel an Erfahrung und Kenntnissen nur unter Aufsicht oder nach ausreichender Einweisung durch eine für ihre Sicherheit verantwortliche Person verwendet werden. Kinder dürfen nicht mit dem Gerät spielen. Die Reinigung und Pflege des Gerätes darf von Kindern nicht ohne Aufsicht durchgeführt werden.

ZUGELASSENE VERWENDUNG

- ⚠ VORSICHT Das Gerät ist nicht für den Betrieb mit einem externen Schalter, wie Timer, oder separatem Fernbedienungssystem konstruiert.
- ⚠ Dieses Gerät ist für Haushaltsanwendungen und ähnliche Anwendungen konzipiert, zum Beispiel: Hotels und Büros.
- ⚠ Dieses Gerät eignet sich nicht für den professionellen Einsatz.
- ⚠ Schalten Sie das Klimagerät immer erst über die Fernbedienung oder die POWER-Taste am Bedienfeld des Geräts aus.
Schalten Sie dazu nicht den Leitungsschutzschalter aus und ziehen Sie nicht den Stecker aus der Steckdose.
Trennen Sie das Klimagerät vor einem längeren Nichtgebrauch und bei Gewitter/Sturm vom Stromnetz.

SICHERHEITSHINWEISE

⚠ Stecken Sie keine Gegenstände in den Luftauslass der Außeneinheit - Verletzungsgefahr. Die Lüftungsöffnungen dürfen nicht behindert werden.

INSTALLATION

- ⚠ Zum Transport und zur Installation des Gerätes sind zwei oder mehrere Personen erforderlich - Verletzungsgefahr. Schutzhandschuhe zum Auspacken und zur Installation verwenden - Risiko von Schnittverletzungen.
 - ⚠ Die Installation, einschließlich elektrischer Anschlüsse und Reparaturen müssen von einem qualifizierten Techniker entsprechend den vor Ort geltenden Sicherheitsvorschriften durchgeführt werden.
Das Gerät nicht selbst reparieren und tauschen keine Teile austauschen, wenn dies von der Bedienungsanleitung nicht ausdrücklich vorgesehen ist.
Kinder vom Installationsort fern halten. Prüfen Sie das Gerät nach dem Auspacken auf Transportschäden.
Bei auftretenden Problemen wenden Sie sich bitte an Ihren Händler oder den Kundendienst.
Nach der Installation müssen Verpackungsabfälle (Kunststoff, Styroporsteile usw.) außerhalb der Reichweite von Kindern aufbewahrt werden - Erstickungsgefahr.
Das Gerät vor Installationsarbeiten von der netzfernen Stromversorgung trennen - Stromschlaggefahr.
Während der Installation sicherstellen, das Netzkabel nicht mit dem Gerät selbst zu beschädigen - Brand- oder Stromschlaggefahr. Das Gerät erst starten, wenn die Installationsarbeiten abgeschlossen sind.
- ⚠ Dank des flexiblen Abluftschlauchs kann das Klimagerät in einer Entfernung von 23" und 67" (60 cm und 170 cm) vom Fenster oder der Tür aufgestellt werden. Bei einem Gerät mit Zusatzheizung muss ein Mindestabstand von 100 cm von der entzündlichen Oberfläche eingehalten werden.
- ⚠ Betreiben Sie das Klimagerät nicht in einem Nassraum wie Badezimmer oder Waschküche.
 - ⚠ Vor dem Umsetzen des Geräts das Netzkabel abziehen.

SICHERHEITSHINWEISE

HINWEISE ZUR ELEKTRIK

- ⚠ Die Netzspannung muss der Nennspannung des Geräts entsprechen, und für den Geräteanschluss ist ein separater Stromkreis einzurichten. Der Querschnitt des Netzanschlusskabels muss diese Anforderungen erfüllen.
- ⚠ Es muss möglich sein, das Gerät von der Stromversorgung durch Ziehen des Netzsteckers zu trennen.
Das Gerät muss gemäß den nationalen elektrischen Sicherheitsbestimmungen geerdet sein.
- ⚠ Es empfiehlt sich, eine träge Sicherung oder einen Verzögerungsschalter einzusetzen. Die Verkabelung muss den örtlichen und nationalen elektrischen Bestimmungen entsprechen und von einer Elektrofachkraft verlegt werden.
- ⚠ Verwenden Sie keine Verlängerungskabel, Mehrfachstecker oder Adapter. Nach der Installation dürfen Strom führende Teile für den Benutzer nicht mehr zugänglich sein. Das Gerät nicht in nassem Zustand oder barfuß verwenden. Das Gerät nicht verwenden, wenn das Netzkabel oder der Stecker beschädigt sind, wenn es nicht einwandfrei funktioniert, wenn es heruntergefallen ist oder in irgendeiner Weise beschädigt wurde.
- ⚠ Wenn das Netzkabel beschädigt ist, muss es aus Sicherheitsgründen vom Hersteller, von seinem Kundendienstvertreter oder einer ähnlich qualifizierten Fachkraft mit einem identischen Kabel ersetzt werden - Stromschlaggefahr.
- ⚠ Es muss sichergestellt werden, dass eine sichere Erdung mit einem Erdungskabel vorhanden ist, die von einem Fachbetrieb an eine spezielle Erdungsanlage des Gebäudes angeschlossen wurde. Das Gerät ist über einen Fehlerstrom-Schutzschalter und einen eigenen Leitungsschutzschalter mit ausreichendem Ausschaltvermögen anzuschließen. Der Leitungsschutzschalter muss über eine thermisch-magnetische Auslösung verfügen, um einen Schutz gegen Kurzschluss und Überlastung zu gewährleisten.

Modell	9K & 12K
Ausschaltvermögen des Leitungsschutzschalters	16A (Sicherungstyp: 9k A+ HPT,3.15A/250VAC; Sonstige,T5A/250VAC)

REINIGUNG UND WARTUNG

- ⚠ **WARNUNG:** Vor dem Durchführen von Wartungsarbeiten ist sicherzustellen, dass das Gerät ausgeschaltet und von der Stromversorgung getrennt ist; Verwenden Sie niemals Dampfreiniger - Stromschlaggefahr.


ENTSORGUNG VON VERPACKUNGSMATERIALIEN

- ♻ Das Verpackungsmaterial ist zu 100 % wiederverwertbar und trägt das Recycling-Symbol. Werfen Sie das Verpackungsmaterial deshalb nicht einfach weg, sondern entsorgen Sie es gemäß den geltenden örtlichen Vorschriften.

ENTSORGUNG VON HAUSHALTSGERÄTEN

- Dieses Gerät wurde aus recycelbaren oder wiederverwendbaren Werkstoffen hergestellt. Entsorgen Sie das Gerät im Einklang mit den lokalen Vorschriften zur Abfallbeseitigung. Genauere Informationen zu Behandlung, Entsorgung und Recycling von elektrischen Haushaltsgeräten sind bei der örtlichen Behörde, der Müllabfuhr oder dem Händler erhältlich, bei dem das Gerät gekauft wurde. Dieses Gerät ist gemäß der Europäischen Richtlinie 2012/19/EU für Elektro- und Elektronik-Altgeräte (WEEE) gekennzeichnet. Durch eine vorschriftsmäßige Entsorgung tragen Sie zum Umweltschutz bei und vermeiden Unfallgefahren, die bei einer unsachgemäßen Entsorgung des Produktes entstehen können.







Das Symbol  auf dem Gerät bzw. auf dem beiliegenden Informationsmaterial weist darauf hin, dass dieses Gerät kein normaler Haushaltsabfall ist, sondern in einer Sammelstelle für Elektro- und Elektronik-Altgeräte entsorgt werden muss.

KONFORMITÄTSERKLÄRUNG

- Das Kühlmittelgas befindet sich in einem hermetisch abgedichteten System (R290, GWP 3). Genaue Angaben finden Sie auf dem Typenschild.

SICHERHEITSHINWEISE

Erklärung der auf dem Gerät verwendeten Symbole.

 Caution, risk of fire	WARNUNG	Dieses Symbol weist darauf hin, dass dieses Gerät ein entzündliches Kältemittel verwendet. Wenn das Kältemittel austritt und mit einer externen Zündquelle in Berührung kommt, entsteht Brandgefahr
	VORSICHT	Dieses Symbol zeigt, dass das Handbuch sorgfältig durchgelesen werden muss
	VORSICHT	Dieses Symbol zeigt, dass das Servicepersonal immer konform mit den Anweisungen im Installationshandbuch mit diesem Gerät umgehen muss
	VORSICHT	Dieses Symbol zeigt, dass Informationen verfügbar sind, wie die Betriebsanleitung oder das Installationshandbuch

SICHERHEITSHINWEISE FÜR WARTUNGEN/KUNDENDIENST VON GERÄTEN MIT SPEZIELLEN KÜHLMITTELN

- Laden Sie das vollständige Handbuch für detaillierte Installations-, Wartungs- und Reparaturmethoden auf docs.Bauknecht.eu.herunter.
- ⚠ Benutzen Sie ausschließlich die vom Hersteller empfohlenen Mittel zur Beschleunigung des Auftauprozesses oder zur Reinigung.
- ⚠ Das Gerät muss in einem gut belüfteten Bereich gelagert werden, dessen Raumgröße dem für den Vorgang vorgeschriebenen Raumbereich entspricht. Das Gerät muss in einem Raum ohne dauerhaft betriebene Zündquellen (wie beispielsweise offene Flammen, ein aktives Gasgerät oder eine aktive elektrische Heizung) gelagert werden.
- ⚠ Nicht eindringen oder verbrennen. Denken Sie immer daran, dass Kältemittel unter Umständen völlig geruchlos sind.

Jede Person, die an der Arbeit an einem Kältekreislauf beteiligt ist, sollte über ein gültiges Zertifikat einer in der Industrie zugelassenen Zertifizierungsstelle verfügen, die ihre Kompetenz zum sicheren Umgang mit Kältemitteln gemäß einer in der Branche anerkannten Bewertungsspezifikation autorisiert. Wartungsarbeiten bzw. Kundendienst dürfen nur entsprechend der Empfehlungen des Geräteherstellers durchgeführt werden. Wartungs- oder Reparaturarbeiten, für welche die Unterstützung von weiterem Fachpersonal erforderlich ist, müssen unter der Überwachung der Person ausgeführt werden, die fachlich in der Nutzung entzündlicher Kältemittel ausgebildet ist. Das Gerät muss in einem Raum installiert, betrieben und gelagert werden, der eine Bodenfläche von über 14.5 m² aufweist. Die Installation der Leitungen muss in einem Raum erfolgen, der eine Bodenfläche von über 14.5 m² aufweist. Die Leitungen müssen den nationalen Gasvorschriften entsprechen. Die maximale Befüllmenge mit Kältemittel beträgt 0,3 kg.

Wenn Bördelverbindungen wiederverwendet werden, muss das gebördelte Teil neu hergestellt werden.

1. Der Transport von Geräten, die entzündliche Kältemittel enthalten, muss die Transportvorschriften erfüllen.
2. Die Markierung von Geräten mit Hilfe von Plaketten, muss die nationalen Vorschriften erfüllen.
3. Die Entsorgung von Geräten, die entzündliche Kältemittel enthalten, muss die nationalen Vorschriften erfüllen.

SICHERHEITSHINWEISE

4. Die Lagerung von Ausrüstung/Geräten muss gemäß den Herstelleranweisungen erfolgen.
5. Lagerung von verpackten (nicht verkauften) Geräten Die Lagerschutzverpackung muss so beschaffen sein, dass ein mechanischer Schaden am Gerät in der Verpackung kein Leck der Kältemittelfüllung verursacht. Die maximal zulässige Anzahl von Geräten, die gelagert werden dürfen, werden von den lokalen Vorschriften bestimmt.

6. Informationen für Wartungen/Kundendienst.

6-1 Bereichsprüfungen

Vor dem Beginn von Arbeiten an Systemen, die entzündliche Kältemittel enthalten, sind Sicherheitsprüfungen erforderlich, um sicherzustellen, dass das Risiko einer Entzündung minimiert ist. Bei Reparaturen am Kühlsystem müssen folgende Vorsichtsmaßnahmen vor Beginn der Arbeiten am System getroffen werden.

6-2 Vorgehensweise

Alle Arbeiten müssen innerhalb einer kontrollierten Vorgehensweise durchgeführt werden, um das Risiko des Vorhandenseins von entzündlichem Gas oder Dampf während dieser Arbeiten zu minimieren.

6-3 Allgemeiner Arbeitsbereich

Alle Wartungstechniker und alle anderen Personen, die sich im betreffenden Bereich aufhalten, müssen über die Art der durchzuführenden Arbeiten informiert sein. Die Arbeit in begrenzten Räumlichkeiten muss vermieden werden.

6-4 Prüfung auf Anwesenheit von Kältemittel

Der Arbeitsbereich muss mit einem geeigneten Kältemitteldetektor vor und während der gesamten Arbeiten geprüft werden, um sicherzustellen, dass die Techniker potenzielle entzündliche Gase/Dämpfe sofort bemerken können. Stellen Sie sicher, dass die verwendete Lecksuchausrüstung für die Nutzung mit entzündlichen Kältemitteln geeignet ist, d.h. diese darf keine Zündfunken erzeugen und sie muss vorschriftsmäßig abgedichtet und brandschutzmäßig eigensicher sein.

6-5 Vorhandensein eines Feuerlöschers

Falls an der kältetechnischen Anlage oder damit verbundenen Teilen Arbeiten in Verbindung mit Wärme oder Hitze ausgeführt werden müssen, sollte ein geeigneter Feuerlöscher zur Hand sein. Am Befüllbereich muss ein Trockenpulverlöscher oder ein CO₂ Feuerlöscher vorhanden sein.

6-6 Keine Zündquellen erlaubt

Keine Person, die Arbeiten an der kältetechnischen Anlage durchführt, bei denen auch an Leitungen gearbeitet wird, die entzündliches Kältemittel enthalten oder enthielten, darf irgendwelche Zündquellen benutzen, die zum Risiko eines Brands oder einer Explosion führen.

Alle möglichen Zündquellen, wozu auch Zigarettenrauch gehört, müssen ausreichend weit entfernt vom Ort der Installation, der Reparaturen oder des Aus- oder Einbaus entfernt sein, wenn während dieser Arbeiten die Möglichkeit besteht, dass entzündliches Kältemittel in den umgebenden Bereich gelangen kann. Vor Beginn von Arbeiten und dabei muss der Bereich um die Anlage überwacht werden, um sicherzustellen, dass keine brennbaren Gefahren oder Risiken für eine Entzündung bestehen. Es müssen Schilder mit der Aufschrift „Rauchen verboten“ aufgestellt werden.

6-7 Belüftung des Bereichs

Stellen Sie vor dem Öffnen des Systems oder vor Beginn von Arbeiten in Verbindung mit Wärme oder Hitze sicher, dass sich der Arbeitsbereich im Freien oder in einem gründlich belüfteten Bereich befindet. Während der gesamten Arbeiten ist die Belüftung laufen zu lassen. Die Belüftung muss brandschutzmäßig sicher und so ausgeführt sein, dass frei gesetztes Kältemittel auf sichere Art und Weise und bevorzugt nach draußen in eine ungefährliche Atmosphäre entlassen wird.

6-8 Prüfungen an der Kühlanlage

Wenn elektrische Komponenten getauscht werden, müssen Sie für diesen Zweck geeignet sein und die korrekte Spezifikation aufweisen. Es sind stets die Anweisungen des Herstellers zu Wartungen und Kundendienst zu befolgen. Bitte konsultieren Sie bei Fragen die technische Abteilung des Herstellers.

SICHERHEITSHINWEISE

Die folgenden Prüfungen müssen bei Installationen durchgeführt werden, die entzündliche Kältemittel nutzen:

- Die Kältemittel-Sollfüllmenge entspricht der Größe des Raums, wo die Teile, die Kältemittel enthalten, installiert sind.
- Die Belüftungsaggregate und Auslässe funktionieren einwandfrei und sind nicht verstopft/blockiert.
- Wenn ein indirekter Kühlkreislauf verwendet wird, muss der Sekundärkreislauf auf das Vorhandensein von Kältemittel geprüft werden.
- Alle Markierungen an den Geräten müssen deutlich sichtbar und lesbar sein. Markierungen und Schilder, die nicht lesbar sind, müssen korrigiert werden;
- Kältemittelleitungen oder Kältemittelkomponenten müssen in einer Position installiert sein, in der es unwahrscheinlich ist, dass sie einer Substanz ausgesetzt sind, die zur Korrosion von Komponenten führen kann, die Kältemittel enthalten, es sei denn, dass die betreffenden Komponenten aus Material bestehen, das eigensicher und nicht korrodierbar ist oder das in entsprechender Weise vor Korrosion geschützt ist.

6-9 Prüfungen der elektrischen Vorrichtungen

Zur Vorbereitung von Reparatur- und Wartungsarbeiten an elektrischen Komponenten gehören anfängliche Sicherheitsprüfungen und Inspektionsprozeduren der Komponenten. Wenn ein Fehler vorhanden ist, der die Sicherheit gefährden könnte, dann darf die elektrische Stromversorgung erst dann eingeschaltet werden, wenn der Fehler sachgemäß behoben ist. Ist es nicht möglich, den Fehler sofort zu beheben, muss der Betrieb aber weiter geführt werden, dann muss eine adäquate Übergangslösung angewendet werden. Diese muss dem Eigentümer der Anlage mitgeteilt werden, damit alle Betroffenen davon unterrichtet werden. Zu den anfänglichen Sicherheitsprüfungen gehören:

- Die Kondensatoren müssen entladen werden: dies muss in einer sicheren Art und Weise geschehen zur Vermeidung der Möglichkeit von Funkenbildung;
- Beim Auffüllen, Nachfüllen oder Reinigen des Systems dürfen keine Strom führenden Komponenten oder Kabel frei gelegt werden.
- Es muss Durchgang an den Erdleiter bestehen.

7. Reparaturen an abgedichteten Komponenten

Bei Arbeiten an abgedichteten Komponenten müssen alle elektrischen Versorgungen von der Anlage getrennt werden, bevor mit Arbeiten daran begonnen wird oder bevor Abdichtungsdeckel etc. entfernt werden.

Falls bei Wartungsarbeiten eine elektrische Versorgung der Anlage erforderlich ist, dann muss eine kontinuierliche Form der Lecksuche an den kritischsten Stellen durchgeführt werden, um jederzeit vor einer potenziellen Gefahrensituation warnen zu können. Besondere Aufmerksamkeit muss folgenden Punkten geschenkt werden, um sicherzustellen, dass bei Arbeiten an elektrischen Komponenten, das Gehäuse nicht so verändert wird, dass der Schutzgrad davon betroffen ist. Dazu gehören Schäden an der Verkabelung, eine übermäßig hohe Anzahl an Anschlüssen, Klemmenverbindungen, die nicht gemäß Originalspezifikation ausgeführt sind, Schäden an Dichtungen, falsche Montage von Kabelbuchsen etc. Die Apparatur muss sicher montiert sein. Es muss sichergestellt sein, dass Dichtungen oder Dichtungsmaterialien nicht so gealtert oder verschlissen sind, dass sie nicht länger dem Zweck dienen, das Eindringen entzündlicher Atmosphären zu verhindern. Alle Ersatzteile müssen gemäß Herstellerspezifikation ausgeführt sein.

HINWEIS:

Die Verwendung von Silikondichtmittel kann die Effektivität einiger Lecksuchgerätetypen verhindern. Eigen-/berührungssichere Komponenten müssen vor Arbeiten an ihnen nicht isoliert werden.

8. Reparaturen an eigen-/berührungssicheren Komponenten

Legen Sie keine permanenten induktiven oder kapazitiven Lasten an den Stromkreis an, ohne

SICHERHEITSHINWEISE

sicherzustellen, dass dies nicht die zulässige Spannung und die zulässige Stromstärke für die in Betrieb befindliche Anlage/Ausrüstung überschreitet. Eigen-/berührungssichere Komponenten sind die einzigen Typen, an denen mit Strom bei Anwesenheit einer entzündlichen Atmosphäre gearbeitet werden kann. Die Testapparatur muss auf den korrekten Bemessungswert eingestellt sein. Komponenten dürfen nur durch Teile ersetzt werden, die der Hersteller spezifiziert hat. Andere Teile können bei einem Leck zu einer Entzündung des Kältemittels in der Atmosphäre führen.

9. Verkabelung

Prüfen Sie, dass die Verkabelung folgenden Punkten nicht unterworfen ist: Alterung/Verschleiß, Korrosion, zu hohem Druck, Vibrationen, scharfen Kanten oder anderen nachteilig wirkenden Einflüssen aus der Umgebung. Bei diesen Prüfungen müssen auch die Auswirkungen von Alterung oder Dauervibration durch Quellen wie Kompressoren oder Lüfter berücksichtigt werden.

10. Detektion von entzündlichen Kältemitteln

Unter keinen Umständen dürfen potenzielle Zündquellen bei der Suche oder Erfassung von Kältemittellecks eingesetzt werden. Ein Halogenlecksuchgerät (oder ein anderer Detektor, der mit offener Flamme arbeitet) darf keinesfalls verwendet werden.

10. Lecksuchmethoden

Die folgenden Lecksuchmethoden sind für Systeme zulässig, die entzündliche Kältemittel enthalten:

- Es müssen elektronische Lecksuchgeräte zur Erfassung entzündlicher Kältemittel eingesetzt werden, aber unter Umständen ist die Ansprechempfindlichkeit nicht ausreichend oder es muss eine Neukalibrierung vorgenommen werden. (Das Lecksuchgerät/Detektor muss in einem kältemittel-freien Bereich kalibriert werden.)
- Stellen Sie sicher, dass der Detektor nicht eine potenzielle Zündquelle darstellt, und dass er für das vorhandene Kältemittel geeignet ist.
- Das Lecksuchgerät muss zu einem Prozentsatz des LFL des Kältemittels eingestellt sein und muss auf das verwendete Kältemittel kalibriert sein, und der entsprechende Prozentsatz Gas (maximal 25 %) muss bestätigt sein.
- Lecksuchflüssigkeiten sind auch für den Einsatz mit den meisten Kältemitteln geeignet, aber die Verwendung von Detektoren, die Chlor enthalten, müssen unbedingt vermieden werden, da das Chlor mit dem Kältemittel reagieren und die Kupferleitungen korrodieren kann.
- Wird ein Leck vermutet, müssen alle offenen Flammen entfernt/ gelöscht werden.
- Wird ein Kältemittelleck gefunden, bei dem Hartlöten erforderlich ist, muss das gesamte Kältemittel aus dem System abgelassen oder (mit Hilfe von Absperrventilen) in einen Teil des Systems isoliert werden, der von dem Leck weit entfernt ist.

11. Entfernen und Absaugen

- Für das Eindringen in den Kältemittelkreislauf zum Zweck von Reparaturen – oder für andere Zwecke – sind konventionelle Prozeduren anzuwenden. Allerdings ist es wichtig, dass die beste Praxis befolgt wird, da stets die Möglichkeit einer Entzündung gegeben ist.

Es muss folgende Vorgehensweise durchgeführt werden:

- Kältemittel entfernen;
- Den Kreislauf mit Inertgas reinigen;
- Absaugen/entleeren;
- Erneut mit Inertgas reinigen;
- Den Kreislauf durch Aufschneiden oder Hartlöten öffnen.

Die Kältemittelmenge muss in sachgemäßen Aufnahmezylindern aufgefangen werden. Das System muss dann mit sauerstofffreiem Stickstoff (OFN) „gespült“ werden, um die Anlage sicher vor entzündlichen Kältemitteln zu machen. Dieser Prozess muss unter Umständen mehrmals wiederholt werden. Für diese Aufgabe dürfen weder Druckluft noch Sauerstoff eingesetzt werden. Das Spülen wird erzielt, indem der

SICHERHEITSHINWEISE

Unterdruck im System mit OFN aufgebrochen und das System so lange befüllt wird, bis der Arbeitsdruck erreicht ist. Dann muss in die Atmosphäre entlüftet werden, und abschließend wieder der Unterdruck hergestellt werden. Dieser Vorgang muss so lange wiederholt werden, bis sich kein Kältemittel mehr im System befindet. Wenn die abschließende Ladung OFN verwendet wird, muss das System auf Umgebungsdruck entlüftet werden, damit die Arbeiten stattfinden können. Dieser Vorgang ist absolut wichtig, wenn Lötvorgänge an den Leitungen vorgenommen werden sollen. Stellen Sie sicher, dass sich der Auslass für die Unterdruckpumpe nicht in der Nähe von potentiellen Zündquellen befindet und dass eine Entlüftung verfügbar ist.

12. Befüllvorgänge

Zusätzlich zu den konventionellen Auffüllprozeduren müssen folgende Anforderungen erfüllt sein:

- Stellen Sie sicher, dass keinerlei Verunreinigung der verschiedenen Kältemittel bei der Verwendung von Auffüllgeräten erfolgt.
- Schläuche bzw. Leitungen sind so kurz wie möglich zu halten, um die darin enthaltene Kältemittelmenge so weit wie möglich zu reduzieren.
- Die Zylinder sollten sich in einer geeigneten Position gemäss den Anweisungen befinden.
- Stellen Sie vor dem Auffüllen der Anlage mit Kältemittel sicher, dass die Kälteanlage geerdet ist.
- Etikettieren Sie das System nach erfolgter Befüllung entsprechend (falls nicht schon geschehen).
- Es ist unbedingt darauf zu achten, die Kälteanlage nicht zu überfüllen. Vor der Neubefüllung der Anlage muss diese mit OFN druckgeprüft werden.

Das System muss nach Beendigung des Befüllvorgangs, aber vor der Inbetriebnahme, auf Lecks geprüft werden.

Bevor der Bereich verlassen wird, ist ein Folge-Lecksuchtest auszuführen.

13. Außerbetriebnahme

Vor der Durchführung dieser Prozedur ist es wichtig, dass der Techniker mit der Anlage/Ausrüstung und allen Details vollkommen vertraut ist. Es wird eine gute Praxis empfohlen, damit alle Kältemittel auf sichere Weise gewonnen werden können. Vor Beginn der auszuführenden Arbeiten muss eine Öl- und Kältemittelprobe genommen werden, für den Fall, dass eine Analyse vor der Wiederverwendung des abgesaugten Kältemittels durchgeführt wird. Es ist wichtig, dass vor Beginn dieser Arbeit die elektrische Stromversorgung gewährleistet ist.

- a. Machen Sie sich mit der Anlage/Ausrüstung und allen Details vollkommen vertraut.
- b. Isolieren Sie das System elektrisch.
- c. Stellen Sie vor Beginn der Prozedur sicher, dass:
 - Die mechanische Ausrüstung verfügbar ist, die ggf. für den Umgang mit den Kältemittelzylindern erforderlich ist;
 - Die gesamte persönliche Schutzausrüstung verfügbar ist und in korrekter Weise getragen/verwendet wird;
 - Der Wiedergewinnungsprozess muss ständig von einer kompetenten Person überwacht werden;
 - Die Wiedergewinnungsausrüstung und die zugehörigen Zylindern müssen den geltenden Normen entsprechen.
- d. Pumpen Sie nach Möglichkeit das Kältemittelsystem leer.
- e. Ist ein Vakuum nicht möglich, stellen Sie einen Verteiler her, über den das Kältemittel aus den verschiedenen Systemteilen abgezogen werden kann.
- f. Stellen Sie sicher, dass die Zylinder vor Beginn der Wiedergewinnung auf der Waage stehen.
- g. Starten Sie die Wiedergewinnungsmaschine und betreiben Sie diese gemäß den Herstelleranweisungen.
- h. Die Zylinder nicht überfüllen. (Nicht mehr als 80 % Volumenflüssigkeitsbefüllung).
- i. Überschreiten Sie den maximalen Arbeitsdruck der Zylinder niemals, nicht einmal kurzzeitig.

SICHERHEITSHINWEISE

- j. Wenn die Zylinder korrekt befüllt sind und der Vorgang abgeschlossen ist, stellen Sie sicher, dass die Zylinder und die Ausrüstung sofort aus dem Bereich entfernt werden und dass alle Trennventile der Ausrüstung geschlossen sind.
- k. Das wiedergewonnene Kältemittel darf nicht in eine andere Kälteanlage gefüllt werden, bevor es nicht gereinigt und geprüft wurde.

14. Etikettierung

Die Anlage muss so etikettiert werden, dass die Außerbetriebnahme und Entleerung des Kältemittels angezeigt sind. Das Etikett muss datiert und signiert sein. Alle Etiketten der Anlage müssen aussagen, dass die Anlage entzündliches Kältemittel enthält.

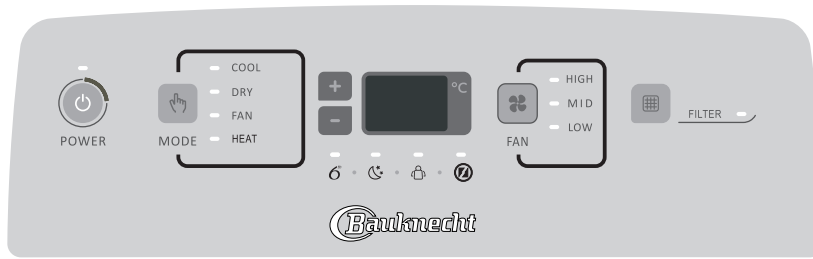
15. Wiedergewinnung

Beim Ablassen von Kältemittel aus einem System - entweder für Wartungszwecke oder für eine Außerbetriebnahme - wird stets eine gute Praxis empfohlen, damit alle Kältemittel auf sichere Weise entfernt werden. Beim Leiten des Kältemittels in die Zylinder muss sichergestellt sein, dass nur geeignete Auffangzylinder

verwendet werden. Stellen Sie sicher, dass die korrekte Anzahl von Zylindern zum Halten der Gesamtbefüllmenge des Systems verfügbar ist. Alle Zylinder, die verwendet werden sollen, müssen für die Wiedergewinnung von Kältemittel ausgelegt und für dieses Kältemittel etikettiert sein (d.h. Spezialzylinder für die Wiedergewinnung von Kältemittel). Die müssen komplett sein mit Überdruck-Entlastungsventil und den zugehörigen Trennventilen und in gutem Zustand sein. Leere Auffangzylinder müssen entleert und nach Möglichkeit vor Beginn der Wiedergewinnung gekühlt werden. Die Ausrüstung zum Auffangen des Kältemittels muss in gutem Betriebszustand sein.

Die zugehörigen schriftlichen Anweisungen dafür müssen zur Hand sein und für die Wiedergewinnung von entzündlichen Kältemitteln geeignet sein. Zusätzlich dazu muss ein Satz kalibrierter Wägeskalen verfügbar sein, der sich in gutem Betriebszustand befindet. Die Schläuche müssen mit leckfreien Trennkupplungen komplettiert und in gutem Zustand sein. Vor der Benutzung der Wiedergewinnungsmaschine muss geprüft werden, ob sich diese in einem guten Zustand befindet und korrekt gewartet wurde und ob alle damit in Verbindung stehenden elektrischen Komponenten so abgedichtet sind, dass eine Entzündung im Fall der Freisetzung von Kältemittel ausgeschlossen ist. Bitte konsultieren Sie bei Zweifeln Ihren Hersteller. Das wiedergewonnene Kältemittel muss dem Kältemittellieferant in den korrekten Auffangzylindern zurück gegeben werden und der entsprechende Lieferschein für die Transferierung von Sondermüll ausgestellt werden. Mischen Sie niemals verschiedene Kältemittel in Wiedergewinnungs-/Auffangeinheiten und ganz besonders keinesfalls in den Zylindern. Falls Kompressoren oder Kompressoröle entfernt werden müssen, muss sichergestellt werden, dass diese auf ein akzeptables Maß entleert wurden, um sicherzustellen, dass kein entzündliches Kältemittel im Schmiermittel bleibt. Der Entleerungsvorgang muss vor der Rückgabe der Kompressoren an die Lieferanten erfolgen. Zur Beschleunigung dieses Prozesses darf nur die elektrische Heizung des Kompressorgehäuses genutzt werden. Wenn das Öl aus dem System abgezogen ist, muss dieses auf sichere Weise erfolgen. Beim Umzug oder bei einer Neupositionierung der Klimaanlage müssen für die Trennung und Neuinstallation der Anlage erfahrene Servicetechniker dazu gezogen werden. Stellen bzw. legen Sie keinesfalls andere elektrische Produkte oder Haushaltsgegenstände unter das Innengerät oder unter das Außengerät. Kondenswasser, das aus dem Gerät tropft, kann dieses nass machen und Schäden oder Fehlfunktionen an Ihrem Eigentum verursachen. Decken Sie die Belüftungsöffnungen des Gerätes nicht ab und stellen Sie diese nicht zu. Das Gerät muss in einem gut belüfteten Bereich gelagert werden, dessen Raumgröße dem für den Vorgang vorgeschriebenen Raumbereich entspricht. Das Gerät muss in einem Raum ohne dauerhaft betriebene offene Flammen (wie beispielsweise eine aktives Gasgerät) und ohne Zündquellen (wie beispielsweise eine aktive elektrische Heizung) gelagert werden. Wiederverwendbare mechanische Verbinder und aufgeweitete Fugen sind nicht zulässig.

Benutzerschnittstelle



Inbetriebnahme Ihres Klimageräts



POWER

1. Drücken Sie die Leistungstaste, um den Betrieb Ihres Geräts zu starten oder zu stoppen.



MODE

2. Drücken Sie die Mode-Taste, um die Betriebsart in der Reihenfolge Kühl, Luftentfeuchtung, Lüfter oder Heizen auszuwählen.



3. Drücken Sie auf die Temperaturtaste, um die gewünschte Temperatur einzustellen.



FAN

4. Drücken Sie die Taste FAN, um die gewünschte Lüfterdrehzahl in der Reihenfolge höchste Stufe, mittlere Stufe oder niedrigste Stufe auszuwählen.



Rücksetzen des Filters

1. Wenn die Anzeige für den Filteraustausch aufleuchtet, entfernen Sie den Luftfilter, reinigen Sie ihn und setzen Sie ihn wieder ein. Siehe hierzu "Reinigen des Luftfilters".
2. Drücken Sie nach dem Austausch des Luftfilters die Taste FILTER und lassen die Taste los.

HINWEIS: Die Filter-Kontrollleuchte leuchtet nach 360 Betriebsstunden des Lüfters auf. Sie leuchtet automatisch 180 Betriebsstunden oder bis Sie die Taste FILTER drücken. Sie erlischt automatisch nach 180 Betriebsstunden.

WICHTIG:

- * Wenn Sie das Klimagerät nach dem Anschluss an das Stromnetz zum ersten Mal einschalten, läuft es im 6th Sense-Modus.
- * Das Display des Klimageräts zeigt die Solltemperatur an. Nur im Standby-Modus zeigt das Display die Raumtemperatur an.
- * Wenn Sie während des Betriebs des Klimageräts den Modus ändern, wird der Kompressor für 3 bis 5 Minuten abgeschaltet und startet danach erneut. Wird während dieser Zeit eine Taste gedrückt, wird der Neustart für weitere 3 bis 5 Minuten verzögert.
- * Im Modus Kühlen oder Luftentfeuchtung werden der Kompressor und der Ventilator des Verflüssigers abgeschaltet, wenn die Raumtemperatur den eingestellten Wert erreicht.
- * Im Modus Fan Only kann die Temperatur NICHT eingestellt werden.
- * Bei Klimageräten, die nur über die Funktion Kühlen verfügen, ist der Modus Heizen NICHT verfügbar.
- * Die unten aufgeführten Betriebsarten können nur mit der Fernbedienung eingestellt werden.

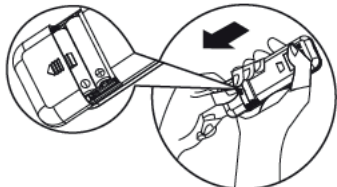


- * Im Falle eines Stromausfalls läuft Ihr Klimagerät bei Wiederaufnahme der Stromversorgung mit den eingestellten Werten wieder an.
- * Wenn das Gerät bei UNLIKELY VERY HUMIDITY (UNWAHRSCHEINLICH HOHER LUFTFEUCHTIGKEIT) arbeitet, wird Wasser in dem Behälter in der Raumeinheit gesammelt. Bei vollem Wasserbehälter hält das Klimagerät an. Die Anzeige "E5" auf dem Display weist darauf hin, den Wasserbehälter zu leeren. Auf der Rückseite des Geräts befindet sich ein Kunststoffschlauch, bringen Sie das Gerät an einen sicheren Ort und legen Sie den Kunststoffschlauch für den Wasserablauf ab.

Fernbedienung

Einlegen der Batterien in die Fernbedienung

1. Drücken Sie mit einem spitzen Gegenstand in die Vertiefung der Batteriefach-Abdeckung und schieben Sie die Abdeckung in Pfeilrichtung, um sie abzunehmen (siehe Bild).
2. Legen Sie zwei 1,5-V-Batterien vom Typ AAA in das Fach ein. Achten Sie darauf, dass die Batteriepole + und - polrichtig eingelegt sind.
3. Schließen Sie die Batteriefach-Abdeckung der Fernbedienung wieder.



• Voreinstellung der Fernbedienung

Nach einem Batteriewechsel schaltet die Fernbedienung standardmäßig in den Heizen-Modus (Wärmepumpe). Die AC-Fernbedienung der Wärmepumpe kann zur Steuerung der AC-Modelle für den reinen Kühlbetrieb verwendet werden.

- Mit der Fernbedienung können Sie das Klimagerät aus einem Abstand von bis zu 7m bedienen.

Hinweis: Bitte befolgen Sie die Anweisungen für die Fernbedienung, die Sie für den Betrieb des Klimageräts erhalten.

Beschreibung der Funktionen der Tasten

1. ON-OFF-TASTE

Startet und/oder stoppt das Gerät durch Drücken dieser Taste.

2. TASTE MODE (BETRIEBSART)

Dient zur Wahl des Betriebsmodus.

3. TASTE FAN (LÜFTER)

Dient zur Wahl der Ventilatorumdrehzahl in der Reihenfolge Automatik, Hoch, Mittel und Niedrig.

4-5. TASTE TEMPERATURE (TEMPERATUR)

Dient zur Wahl der Raumtemperatur. Dient zur Einstellung der Zeit im Timer-Modus und zum Einstellen der Echtzeituhr.

6. 6th SENSE TASTE

Zum Einstellen oder Abschalten des 6th Sense-Betriebs. In diesem Modus wird die Temperatur und die Lüfterdrehzahl automatisch anhand der aktuellen Raumtemperatur eingestellt.

7. TASTE SWING (SCHWENKEN)

Startet und stoppt die Schwenkbewegung („Swing“) der horizontalen Luftleitlamelle und stellt die vertikale Luftverteilung ein.

8. TASTE SLEEP (NACHTBETRIEB)

- 1) Kurzes Drücken schaltet den Sleep-Modus ein oder aus. Der Sleep-Modus kann in der Betriebsart Cooling, Heating oder Dry eingestellt werden. Diese Funktion sorgt für eine angenehmere Schlafumgebung.
- 2) Langes Drücken, ca. 3 Sekunden zum Ein- oder Ausschalten der Displaybeleuchtung am Gerät.

9. TASTE „AROUND U“ (WOHLFÜHL-FUNKTION)

Wird verwendet, um die Around-U-Funktion ein- oder auszuschalten. Durch Drücken dieser Taste überträgt die Fernbedienung die aktuelle Raumtemperatur um sie herum an die Inneneinheit und das Gerät wird gemäss dieser Temperatur arbeiten, um Ihnen mehr Komfort zu bieten.

10. TIMER TASTE (ZEITSCHALT-TASTE)

Dient zum Einstellen und Löschen der Timer Einschaltzeit.
Dient zum Einstellen und Löschen der Timer Ausschaltzeit.

11. SILENT-TASTE

Wird verwendet, um den flüsterleisen Betrieb ein- oder auszuschalten. Drücken Sie die Silent-Taste, um die Einheit auf niedriger Geräuschstufe laufen zu lassen, um eine ruhige und angenehme Umgebung zu schaffen.

Hinweis: Unter extremen Umgebungsbedingungen ist es möglich, dass zuerst ein leichter Geräuschpegelanstieg wahrgenommen wird, da die Komforttemperatur schnell erreicht werden soll.

Symbole auf der Anzeige der Fernbedienung

Anzeige Kühlen

Lüfterdrehzahl-Automatik

6th Sense-Anzeige

Signalübertragung

Anzeige DRY für Luftentfeuchtung

Lüfterdrehzahl-höchste Stufe

Anzeige für Schlaf-Modus

Display Timereinstellung

Anzeige FAN ONLY für Lüfterbetrieb

Lüfterdrehzahl-mittlere Stufe

Anzeige Wohlfühl-Funktion („Around U“)

Display Temperatureinstellung

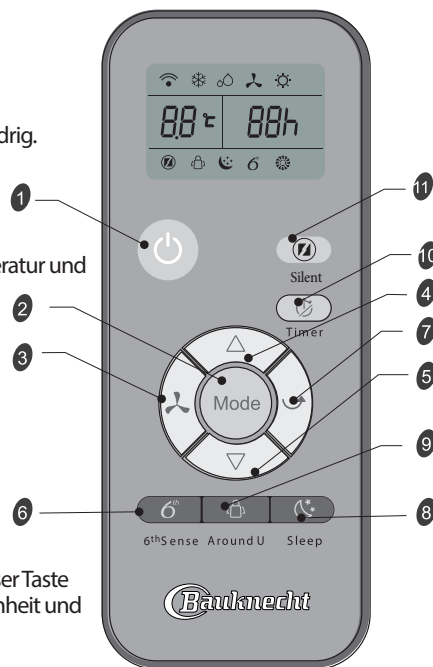
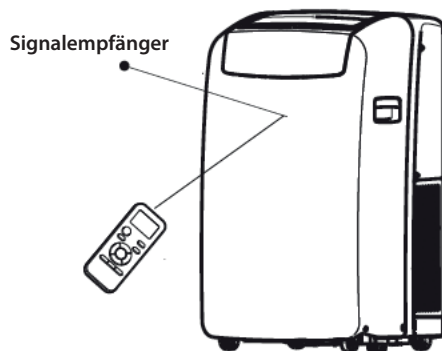
Anzeige HEATING für Heizen

Lüfterdrehzahl-niedrige Stufe

Silent-Anzeige

Verwenden der Fernbedienung zur Steuerung des Gerätes

- Richten Sie die Fernbedienung zur Bedienung des Geräts auf das Empfangsteil der Inneneinheit aus, damit eine gute Signalqualität gewährleistet ist.
- Während der Befehlsübertragung durch die Fernbedienung blinkt das Symbol 1 Sekunde lang. Den Empfang des Befehls bestätigt das Gerät durch einen Hinweiston.



Pflege

Entleeren des Klimageräts

(Bitte verbinden Sie den Ablaufschlauch im Heizbetrieb, da sonst die Einheit aufhören würde zu laufen, nachdem sie die Warnstufe erreicht hat.)

1. Drücken Sie die ON/OFF-Taste, um das Klimagerät abzuschalten.
2. Ziehen Sie den Netzstecker oder unterbrechen Sie die Stromversorgung.
3. Transportieren Sie das Gerät vorsichtig und stabil an eine Entleerungsstelle oder nach draußen, um das Wasser abzulassen. Bewegen Sie die Einheit nicht, solange das Wasser nicht vollständig abgelassen ist.
4. Entfernen Sie die zweite Ablassschraube und lassen Sie das Wasser ganz ablaufen.
5. Entfernen Sie den Hauptabflussschlauch von der Schlauchschelle. Entfernen Sie den Ablaufschlauch-Anschluss vom Ende des Hauptabflussschlauchs und lassen das Wasser vollständig ab.

HINWEIS: Wenn das Klimagerät nach dem Gebrauch eingelagert wird, siehe "Lagerung nach dem Gebrauch".

6. Den Stopfen des Ablaufschlauchs und die zweite Ablassschraube wieder einsetzen.
7. Den Hauptabflussschlauch wieder an der Schlauchschelle anbringen.
8. Das Klimagerät wieder anbringen.
9. Den Gerätestecker einstecken oder die Stromversorgung wieder anschließen.
10. Drücken Sie die ON/OFF-Taste, um das Klimagerät zu starten.

Reinigen des Luftfilters

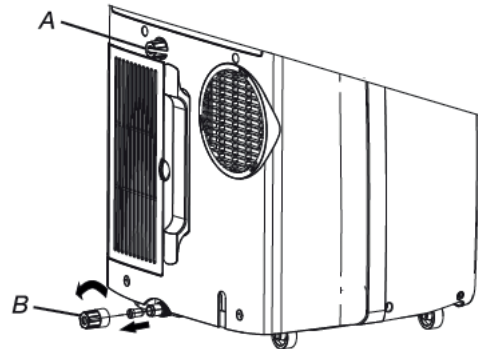
1. Drücken Sie die ON/OFF-Taste, um das Klimagerät abzuschalten.
2. Öffnen Sie die Filterklappe auf der Rückseite der Klimaanlage und entfernen sie.
3. Nehmen Sie den Luftfilter von dem Türpaneel ab.
4. Reinigen Sie den Filter mit einem Staubsauger. Ist der Filter stark verschmutzt, waschen Sie ihn in lauwarmem Wasser mit einem milden Reinigungsmittel. **HINWEIS:** Den Filter nicht im Geschirrspüler waschen, keine chemischen Reinigungsmittel verwenden.
5. Den Filter vor dem Wiedereinbau an der Luft trocknen lassen.
6. Bringen Sie den Luftfilter wieder an dem Türpaneel an.
7. Die Tür mit der Filterscheibe wieder einbauen.
8. Drücken Sie die ON/OFF-Taste, um das Klimagerät zu starten.

Reinigen der Außenseite des Gerätes

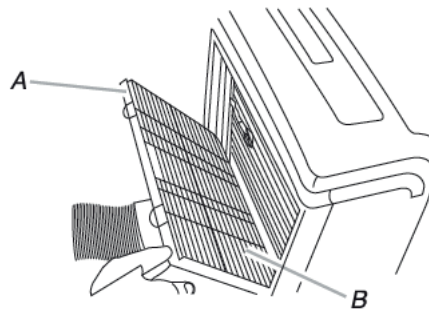
1. Ziehen Sie den Netzstecker oder unterbrechen Sie die Stromversorgung.
2. Den Luftfilter ausbauen und separat reinigen. Siehe hierzu "Reinigen des Luftfilters".
3. Die Außenseite des Klimagerätes mit einem weichen feuchten Lappen abwischen.
4. Den Gerätestecker einstecken oder die Stromversorgung wieder anschließen.
5. Drücken Sie die ON/OFF-Taste, um das Klimagerät zu starten.

Entsorgung der Batterien

Leisten Sie einen Beitrag zur Ressourcenschonung. Trennen Sie die Batterien vom Hausmüll und recyceln Sie diese über das kostenlose Batterie-Rückgabesystem an Ihrem Wohnort.



A. Zweite Ablassschraube
B. Stopfen des Ablaufschlauchs



A. Filterklappe
B. Luftfilter

Lagern nach dem Gebrauch

1. Das Wasser ablassen (siehe "Entleeren des Klimagerätes")
2. Lassen Sie das Klimagerät für 12 Stunden im Modus Fan Only laufen, um das Gerät zu trocknen.
3. Den Netzstecker abziehen.
4. Entfernen Sie den flexiblen Schlauch und lagern ihn zusammen mit dem Klimagerät in einem sauberen, trockenen Raum. Siehe "Installationsanleitungen"
5. Den Fensterbausatz entfernen und zusammen mit dem Klimagerät in einem sauberen trockenen Raum lagern. Siehe "Installationsanleitungen"
6. Den Luftfilter ausbauen und reinigen. Siehe hierzu "Reinigen des Luftfilters"
7. Die Außenseite des Klimagerätes reinigen. Siehe "Die Außenseite des Klimagerätes reinigen"
8. Den Filter wieder einbauen.
9. Entfernen Sie die Batterien und lagern sie die Fernbedienung zusammen mit dem Klimagerät in einem sauberen, trockenen Raum.

Installationsanweisung

Werkzeug und Montageteile

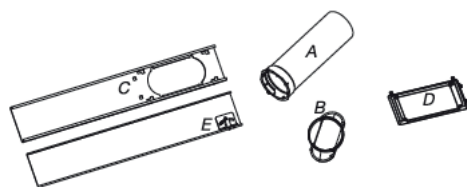
Legen Sie die erforderlichen Werkzeuge und Teile bereit, bevor Sie mit der Installation beginnen. Lesen und befolgen Sie die Anweisungen, die mit den aufgelisteten Werkzeugen geliefert werden.

1. Benötigtes Werkzeug

- Kreuzschlitz-Schraubendreher
- Säge
- Akkubohrschrauber und 1/8"-Einsatz
- Schere
- Bleistift

2. Gelieferte Teile

Der Hersteller liefert nur einen Plan für die Installation des lokalen Klimageräts. Siehe "Installation des lokalen Klimageräts".



- A. Flexibler Abluftschlauch
- B. Fensterabluftadapter
- C. Äußerer Schieberabschnitt
- D. Regenschutz
- E. Innerer Schieberabschnitt

Örtliche Voraussetzungen

HINWEIS:

- Dank des flexiblen Abluftschlauchs kann das Klimagerät in einer Entfernung von 23 1/2" und 67" (60 cm und 170 cm) vom Fenster oder der Tür aufgestellt werden. Bei einem Gerät mit Zusatzheizung muss ein Mindestabstand von 100 cm von der entzündlichen Oberfläche eingehalten werden. Das Gerät sollte in einem Raum installiert, betrieben und gelagert werden, dessen Grundfläche mehr als 14.5 m² beträgt und der höher als 2,2 m ist. Lokale Klimageräte sind als zusätzliche Kühlung für begrenzte Bereiche in Innenräumen ausgelegt.
- Zur Gewährleistung einer korrekten Lüftung ist zwischen dem Luftauslass und der Wand bzw. anderen Hindernissen ein Abstand von mindestens 60 cm (23 1/2") einzuhalten.
- Der Luftauslass darf nicht verdeckt werden.
- Die geerdete Netzsteckdose muss immer gut zugänglich sein.

Elektrische Anforderungen

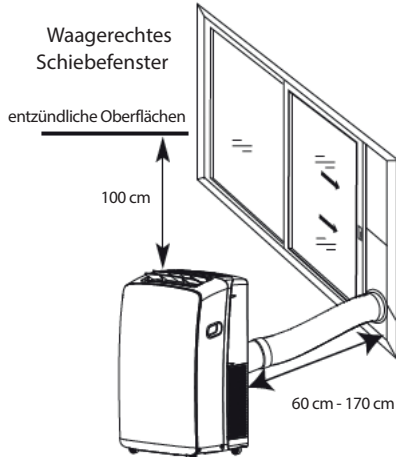
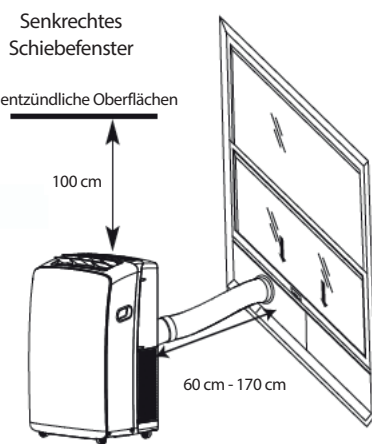
- Das lokale Klimagerät sollte an eine mit 220-240V / 50Hz, 20-A Sicherung abgesicherte, geerdete Steckdose angeschlossen sein.
- Es empfiehlt sich, eine träge Sicherung oder einen Verzögerungsschalter einzusetzen.
- Die Verkabelung muss den örtlichen und nationalen elektrischen Bestimmungen entsprechen und von einer Elektrofachkraft verlegt werden. Bei Fragen wenden Sie sich bitte an eine Elektrofachkraft.

Benutzen Sie das mitgelieferte Netzkabel:

Schließen Sie das Netzkabel an eine geerdete Netzsteckdose an.

HINWEIS:

- Ein beschädigtes Stromversorgungskabel muss durch ein neues Stromversorgungskabel vom Hersteller des Produkts ersetzt und darf nicht repariert werden.
- Betriebstemperatur Kühlung 21 °C - 35 °C
- Betriebstemperatur Heizung 7 °C - 27 °C



Weitere Informationen können auf der folgenden Internetseite heruntergeladen werden: docs.Bauknecht.eu

Fehlersuche

Funktionsstörungen haben oft geringfügige Ursachen - überprüfen Sie das Gerät daher bitte erst anhand der folgenden Tabelle, bevor Sie den Kundendienst anrufen. So sparen Sie evtl. Zeit und vermeiden unnötige Kosten.

Störung	Ursache
Das Gerät läuft nicht	<ul style="list-style-type: none"> • Netzkabel nicht eingesteckt. Stecken Sie das Kabel in eine geerdete Steckdose. Siehe „Elektrische Anforderungen“ • Eine Haushaltssicherung ist durchgebrannt oder ein Trennschalter wurde ausgelöst. Tauschen Sie die Sicherung aus oder schalten Sie den Trennschalter wieder ein. Siehe „Elektrische Anforderungen“ • Die On/Off-Taste wurde nicht gedrückt. Drücken Sie die ON/OFF-Taste. • Lokaler Stromausfall. Warten Sie, bis die Stromversorgung wiederhergestellt ist. • Die träge Sicherung oder der Trennschalter hat die falsche Leistungskapazität. Ersetzen Sie diese durch eine träge Sicherung bzw. einen Trennschalter mit der richtigen Leistungskapazität. Siehe „Elektrische Anforderungen“
Das Klimagerät löst Sicherungen oder Trennschalter aus.	<ul style="list-style-type: none"> • Zu viele Geräte sind an denselben Stromkreis angeschlossen. Ziehen Sie den Stecker von Geräten an diesem Stromkreis ab oder schließen Sie die Geräte an einen anderen Stromkreis an. • Sie versuchen zu früh, nach dem Ausschalten des Klimageräts wieder einzuschalten. Warten Sie nach dem Ausschalten des Klimageräts mindestens 3 Minuten, bevor Sie versuchen, es wieder einzuschalten. • Sie haben die Betriebsart gewechselt. Warten Sie nach dem Ausschalten des Klimageräts mindestens 3 Minuten, bevor Sie versuchen, es wieder einzuschalten.
Das Klimagerät läuft zu lange	<ul style="list-style-type: none"> • Ist eine Tür oder ein Fenster geöffnet? Halten Sie Türen und Fenster geschlossen. • Im Kühlmodus: Das Klimagerät steht in einem Raum mit vielen Menschen oder mit Wärme erzeugenden Geräten. Schalten Sie beim Kochen oder Baden die Abluftventilatoren ein. Verwenden Sie während der heißesten Stunden des Tages möglichst keine Geräte, die Wärme erzeugen. Lokale Klimageräte sind als zusätzliche Kühlung für begrenzte Bereiche in Innenräumen ausgelegt. Je nach der Größe des zu kühlenden Raums ist möglicherweise ein Klimagerät mit höherer Kapazität erforderlich. • Im Heizmodus: das Klimagerät befindet sich in einem sehr kühlen Raum. Lokale Klimageräte sind als zusätzliche Heizung für begrenzte Bereiche in Innenräumen ausgelegt. Je nach der Größe des zu beheizenden Raums ist möglicherweise ein Klimagerät mit höherer Kapazität erforderlich.
Das Klimagerät läuft nur eine kurze Zeit, aber der Raum ist weder kühl noch warm.	<ul style="list-style-type: none"> • Die eingestellte Temperatur entspricht beinahe der Raumtemperatur. Die Solltemperatur verringern oder erhöhen. Siehe „Beschreibung der Betriebsarten“.
Fehlercodeanzeigen	<ul style="list-style-type: none"> • Wenn das Gerät den Fehlercode E5 anzeigt, ist der Wasserbehälter im Gerät voll und Sie sollten das Wasser ablassen. Siehe „Entleeren des Klimageräts“. Nach dem Ablassen kann das Gerät wieder in Betrieb gesetzt werden. • Wenn das Gerät den Fehlercode E1/E2/E3/E6/E7/EA anzeigt, rufen Sie bitte den Kundendienst.
Das Klimagerät läuft, aber kühlt/heizt nicht	<ul style="list-style-type: none"> • Filter verschmutzt oder verstopft. Reinigen Sie den Filter. • Luftauslass blockiert. Entfernen Sie Hindernisse am Luftauslass. • Temperatureinstellung nicht kompatibel. Im Kühl-Modus: die eingestellte Temperatur ist zu hoch. Stellen Sie eine niedrigere Temperatur ein. Im Heizmodus: die eingestellte Temperatur ist zu niedrig. Die Temperatur erhöhen
Das Klimagerät schaltet sich zu oft ein und aus	<ul style="list-style-type: none"> • Das Klimagerät ist für Ihre Raumgröße ungeeignet. Überprüfen Sie die Kühl-/Heizleistung Ihres lokalen Klimageräts. Lokale Klimageräte sind als zusätzliche Kühlung/Heizung für begrenzte Bereiche in Innenräumen ausgelegt. • Filter verschmutzt oder verstopft. Reinigen Sie den Filter. • Im Kühlmodus übermäßige Hitze oder Feuchtigkeit im Raum (Kochen mit offenem Topf oder Wasserdampf vom Duschen usw.). Leiten Sie die Wärme oder Feuchtigkeit mithilfe eines Ventilators aus dem Raum ab. Verwenden Sie während der heißesten Stunden des Tages keine Wärme produzierenden Geräte. Im Heizmodus: Raumtemperatur zu hoch. Das Klimagerät nicht benutzen, wenn die Umgebungstemperatur zu hoch ist. • Die Lüftungsschlitze/Lamellen sind blockiert. Stellen Sie das Klimagerät an einem Ort auf, an dem die Luftschlitze nicht durch Vorhänge, Jalousien, Möbel usw. abgedeckt werden. • Die Außentemperatur liegt unter 18°C. Versuchen Sie nicht, das Klimagerät im Modus Cooling laufen zu lassen, wenn die Außentemperatur unter 18 °C liegt.

Hinweis: Wenn die Störung weiterbesteht, müssen Sie das Gerät zuerst ausschalten und dann vom Stromnetz trennen. Kontaktieren Sie anschließend einen autorisierten Whirlpool Kundendienst in Ihrer Nähe. Versuchen Sie nicht, das Gerät selbst zu versetzen, zu reparieren, zu zerlegen oder umzurüsten.

KUNDENDIENST

Bevor Sie den Kundendienst kontaktieren:

1. Versuchen Sie zuerst, anhand der Hinweise im Abschnitt „Störungsdiagnose“ das Problem selbst zu beheben.
2. Schalten Sie das Gerät aus und danach wieder ein, um zu prüfen, ob der Fehler weiterhin erscheint.

Sollte der Fehler nach Durchführung der oben genannten Prüfungen weiterhin bestehen, kontaktieren Sie bitte den Kundendienst.

Bitte machen Sie folgende Angaben:

- eine kurze Beschreibung der Störung,
- Die exakte Modellbezeichnung Ihres Klimageräts
- Die Servicenummer (die Nummer unter dem Wort „Service“ auf dem Service-Aufkleber seitlich oder unten an der Inneneinheit).
- Die Servicenummer finden Sie auch im Garantie-Handbuch,
- Ihre vollständige Anschrift,
- Ihre Telefonnummer.

Hinweis: Sie können das komplette Handbuch für Ihr Gerät von der Internetseite herunterladen. Dazu den folgenden Link verwenden: docs.Bauknecht.eu und den QR-Code benutzen

**Whirlpool EMEA
Via Pisacane 1
20016 PERO (MI) ITALIEN**

Falls eine Reparatur erforderlich ist, sollten Sie stets das **Kundendienstzentrum** kontaktieren, um sicherzugehen, dass Original-Ersatzteile verwendet werden und die Reparatur sachgerecht ausgeführt wird.

Sie müssen den Original-Rechnungsbeleg vorlegen.

Die Nichtbeachtung dieser Vorschriften kann die Sicherheit und Qualität des Produktes beeinträchtigen.

SERVICE 0000 000 00000



CONSIGNES DE SÉCURITÉ

IMPORTANT - À LIRE ET À RESPECTER

- Téléchargez le manuel d'instruction complet sur docs.Bauknecht.eu ou appelez au numéro de téléphone indiqué sur le livret de garantie.
- Avant d'utiliser l'appareil, lisez attentivement les consignes de sécurité. Conservez-les à portée pour consultation ultérieure.
- Le présent manuel et l'appareil en question contiennent des consignes de sécurité importantes qui doivent être lues et observées en tout temps. Le Fabricant décline toute responsabilité si les consignes de sécurité ne sont pas respectées, en cas de mauvaise utilisation de l'appareil, ou d'un mauvais réglage des commandes.
- ⚠ L'appareil utilise un réfrigérant inflammable (R290), la quantité maximale de réfrigérant chargée est de 0,3 kg. L'appareil doit être installé, activé et stocké dans une pièce avec une superficie supérieure à 14.5m². Et la pièce doit être supérieure à 2,2 m.
- ⚠ L'appareil a été testé à des pressions statiques externes de 0,95 MPa - 1,05 MPa.
- ⚠ Les enfants en bas (0-3 ans) doivent être tenus à l'écart de l'appareil. Les jeunes enfants (3-8 ans) doivent être tenus à l'écart de l'appareil sauf s'ils se trouvent sous surveillance constante. Les enfants âgés de 8 ans et plus ainsi que les personnes présentant des capacités physiques, sensorielles ou mentales réduites, ou ne possédant ni l'expérience ni les connaissances requises, peuvent utiliser cet appareil seulement s'ils sont supervisés, ou si une personne responsable leur a expliqué l'utilisation sécuritaire et les dangers potentiels de l'appareil. Ne laissez pas les enfants jouer avec l'appareil. Les enfants ne doivent pas nettoyer, ni procéder à l'entretien de l'appareil sans surveillance.

UTILISATION AUTORISÉE

- ⚠ ATTENTION : Cet appareil n'est pas conçu pour être utilisé avec un dispositif de mise en marche externe comme une minuterie ou un système de contrôle à distance.
- ⚠ Cet appareil est destiné à un usage domestique et peut aussi être utilisé dans les endroits suivants : hôtels et bureaux.
- ⚠ Cet appareil n'est pas conçu pour une utilisation professionnelle.
- ⚠ Coupez toujours le climatiseur par le biais de la télécommande en premier lieu. N'utilisez pas le disjoncteur d'alimentation ou ne tirez pas sur la prise pour le couper. Débranchez le climatiseur de l'alimentation électrique s'il reste inutilisé pendant un long laps de temps ou pendant un orage avec du tonnerre/de la foudre.

CONSIGNES DE SÉCURITÉ

⚠ N'insérez jamais d'obstacle dans la sortie d'air - risque de lésion. Maintenez les ouvertures de ventilation dénuées de toute obstruction.

INSTALLATION

- ⚠ L'appareil doit être manipulé et installé par au moins deux personnes - vous pourriez vous blesser. Utilisez des gants de protection pour le déballage et l'installation - vous pourriez vous couper.
- ⚠ L'installation, y compris les branchements électriques, et les réparations doivent être effectuées par un technicien qualifié conformément aux règles de câblage nationales. Ne procédez à aucune réparation ni à aucun remplacement de pièce sur l'appareil autre que ceux spécifiquement indiqués dans le guide d'utilisation. Gardez les enfants à l'écart du site d'installation. Après avoir déballé l'appareil, assurez-vous qu'il n'a pas été endommagé pendant le transport. En cas de problème, contactez votre revendeur ou le Service Après-Vente le plus proche. Une fois installé, gardez le matériel d'emballage (sacs en plastique, parties en polystyrène, etc.) hors de la portée des enfants - ils pourraient s'étouffer. L'appareil doit être débranché de toute alimentation électrique distante avant toute opération d'installation - risque de choc électrique. Au moment de l'installation, assurez-vous que le câble d'alimentation n'est pas endommagé par l'appareil - risque d'incendie ou de choc électrique. Branchez l'appareil seulement après avoir complété l'installation.

⚠ Le tuyau d'échappement flexible permet de placer le climatiseur entre 23" et 67" (60 cm et 170 cm) d'une fenêtre ou d'une porte. L'appareil équipé d'un chauffage supplémentaire doit être maintenu à une distance minimum de 100 cm de la surface combustible.

CONSIGNES DE SÉCURITÉ

- ⚠ Ne pas faire fonctionner votre climatiseur dans une pièce humide comme une salle de bain ou une buanderie.
- ⚠ Débranchez le câble électrique avant de déplacer l'appareil.

AVERTISSEMENTS ÉLECTRIQUES

- ⚠ L'alimentation électrique doit être de tension nominale avec un circuit spécial pour l'appareil. Le diamètre du câble électrique doit être conforme aux conditions requises.
- ⚠ Il doit être possible de débrancher l'appareil de l'alimentation électrique en retirant la fiche de la prise de courant.
L'appareil doit être mis à la terre conformément aux normes de sécurité électrique nationales.
- ⚠ L'utilisation d'un fusible temporisé ou d'un disjoncteur temporisé est recommandée. Tout le câblage doit être conforme aux réglementations locales et nationales en matière d'électricité et il doit être installé par un électricien qualifié.
- ⚠ N'utilisez pas de rallonge, de prises multiples ou d'adaptateurs. Une fois l'installation terminée, l'utilisateur ne devra plus pouvoir accéder aux composantes électriques. N'utilisez pas l'appareil si vous êtes mouillé ou si vous êtes pieds nus. N'utilisez pas cet appareil si le câble d'alimentation ou la prise de courant sont endommagés, si l'appareil ne fonctionne pas correctement, ou s'il a été endommagé ou échappé.
- ⚠ Si le câble d'alimentation est endommagé, il doit être remplacé par un câble identique par le fabricant, son agent de maintenance ou des personnes ayant la même qualification afin d'éviter tout danger - risque de choc électrique.
- ⚠ Assurez-vous que la mise à la terre est sûre et qu'un câble de mise à la terre est branché au système de mise à la terre spécifique du bâtiment, installé par des professionnels. L'appareil doit être équipé d'un commutateur de protection contre les fuites électriques et d'un commutateur auxiliaire ayant une capacité suffisante. L'interrupteur doit également avoir une fonction de déclenchement magnétique et thermique pour assurer la protection en cas de court-circuit et de surcharge.

Configuration	9K & 12K
Capacité requise du disjoncteur	16A (Type de fusible : 9k A+ HP,T3.15A/250VAC ; Autres,T5A/250VAC)

NETTOYAGE ET ENTRETIEN

- ⚠ AVERTISSEMENT : Assurez-vous que l'appareil est éteint et débranché du réseau électrique avant d'effectuer l'entretien - vous pourriez vous électrocuter ; n'utilisez jamais un appareil de nettoyage à vapeur - risque de choc électrique.

ÉLIMINATION DES MATÉRIAUX D'EMBALLAGE

- Les matériaux d'emballage sont entièrement recyclables comme l'indique le symbole de recyclage . Les différentes parties de l'emballage doivent par conséquent être éliminées de manière responsable et conformément aux normes locales régissant l'élimination des déchets.

MISE AU REBUT DES APPAREILS ÉLECTROMÉNAGERS

- Cet appareil est fabriqué avec des matériaux recyclables ou pouvant être réutilisés. Mettez-le au rebut en vous conformant à la réglementation locale en matière d'élimination des déchets. Pour toute information supplémentaire sur le traitement et le recyclage des appareils électroménagers, contactez le service local compétent, le service de collecte des déchets ménagers ou le magasin où vous avez acheté l'appareil. Cet appareil est certifié conforme à la Directive européenne 2012/19/UE relative aux déchets d'équipements électriques et électroniques (DEEE). En s'assurant que ce produit est correctement mis au rebut, vous contribuerez à empêcher toute conséquence nuisible pour l'environnement et la santé.







Ce symbole  sur le produit ou sur la documentation qui l'accompagne indique qu'il ne doit pas être traité comme un déchet domestique, mais doit être remis à un centre de collecte spécialisé pour le recyclage des appareils électriques et électroniques.

DÉCLARATION DE CONFORMITÉ

- Le gaz réfrigérant étant dans un système hermétiquement scellé (R290, GWP 3). Merci de consulter la plaquette signalétique pour obtenir des informations détaillées.

CONSIGNES DE SÉCURITÉ

Explication des symboles affichés.

	AVERTISSEMENT	Ce symbole montre que cet appareil utilise un réfrigérant inflammable. Si le réfrigérant fuit et est exposé à une source d'allumage externe, il existe un risque d'incendie
	ATTENTION	Ce symbole montre que le manuel de fonctionnement doit être lu attentivement
	ATTENTION	Ce symbole indique qu'un personnel de maintenance doit manipuler cet équipement en se référant au manuel d'installation
	ATTENTION	Ce symbole montre que les informations sont disponibles dans le manuel d'utilisation ou d'installation

CONSIGNES DE SÉCURITÉ POUR L'ENTRETIEN DE L'APPAREIL AVEC UN RÉFRIGÉRANT SPÉCIFIQUE

- Téléchargez le manuel complet pour l'installation, l'entretien, la maintenance et les procédés de réparation sur docs.Bauknecht.eu.
 - ⚠ N'utilisez pas de systèmes pour accélérer le processus de décongélation ou pour le nettoyage, autres que ceux recommandés par le fabricant.
 - ⚠ L'appareil doit être stocké dans une zone bien aérée où la taille de la pièce correspond à la superficie de la pièce spécifiée pour le fonctionnement ; sans utiliser continuellement des sources d'allumage (telles que : flammes nues, appareil à gaz, ou chauffage électrique en fonctionnement).
 - ⚠ Ne pas percer ou brûler. Soyez conscient que les réfrigérants peuvent être inodores.
Toute personne qui est impliquée dans le travail ou l'introduction dans un circuit réfrigérant doit détenir un certificat en règle en cours de validité, émanant d'une autorité d'évaluation accréditée par l'industrie, qui autorise son personnel à traiter des réfrigérants en toute sécurité conformément à une spécification d'évaluation reconnue par l'industrie. La maintenance doit être réalisée uniquement comme recommandé par le fabricant de l'équipement. La maintenance et les réparations nécessitant l'assistance d'autres membres du personnel qualifiés doivent être réalisées sous la supervision de la personne compétente en matière d'utilisation des réfrigérants inflammables. L'appareil doit être installé, actionné et stocké dans une salle ayant une superficie au sol supérieure à 14.5 m². L'installation des conduits doit être maintenue dans une salle ayant superficie au sol supérieure à 14.5 m². Les conduits doivent être conformes aux réglementations nationales en matière de gaz. La quantité de charge maximale de réfrigérant est de 0,3 kg.
Lorsque des joints évasés sont réutilisés en intérieur, la partie évasée doit être réusinée.
1. Le transport d'un équipement contenant des réfrigérants inflammables doit être conforme aux réglementations en matière de transport.
 2. Le marquage de l'équipement par le biais de signalisations doit être conforme aux réglementations locales.
 3. La mise au rebut de l'équipement utilisant des réfrigérants inflammables doit être conforme aux

CONSIGNES DE SÉCURITÉ

réglementations nationales.

4. Le stockage de l'équipement/des appareils doit être conforme aux instructions du fabricant.
5. Stockage de l'équipement emballé (non vendu). Un emballage de stockage de protection doit être réalisé de façon à éviter tout dommage mécanique à l'équipement à l'intérieur de l'emballage susceptible de provoquer des fuites de la charge de réfrigérant. Le nombre maximum de pièces d'équipement pouvant être stockées ensemble devra respecter les réglementations locales.
6. Information sur la maintenance.

6-1 Contrôles de la zone

Avant de commencer à travailler sur des systèmes contenant des réfrigérants inflammables, des contrôles de sécurité sont nécessaires afin de s'assurer que le risque d'inflammation est minimisé.

Pour réparer le système de réfrigération, les précautions suivantes doivent être prises avant de réaliser un quelconque travail sur le système.

6-2 Procédure de travail

Le travail doit être entrepris dans le cadre d'une procédure contrôlée de façon à minimiser le risque de présence de gaz ou de vapeur inflammable pendant la réalisation du travail.

6-3 Zone de travail générale

L'ensemble du personnel de maintenance et les autres personnes travaillant dans la zone locale doivent être informés de la nature du travail réalisé. Le travail dans des espaces confinés doit être évité.

6-4 Vérification de la présence de réfrigérant

La zone doit être vérifiée avec un détecteur de réfrigérant approprié avant et pendant le travail, afin de s'assurer que le technicien est conscient des atmosphères potentiellement inflammables.

Assurez-vous que l'équipement de détection de fuite utilisé est adapté pour une utilisation avec des réfrigérants inflammables, à savoir qu'il est scellé dans un système convenablement anti-étincelle ou qu'il dispose d'une sécurité intrinsèque.

6-5 Présence d'un extincteur

Si des travaux à chaud doivent être réalisés sur l'équipement de réfrigération ou des pièces associées, un équipement d'extinction approprié doit être disponible à portée de main. Il convient d'avoir un extincteur à poudre sèche ou à CO₂ près de la zone de charge.

6-6 Absence de sources d'allumage

Lors de la réalisation d'un travail sur un système de réfrigération qui implique l'exposition de conduits contenant ou ayant contenu un réfrigérant inflammable, il est interdit d'utiliser des sources d'allumage pouvant donner lieu à un risque d'incendie ou d'explosion.

Toutes les sources d'allumage possibles, y compris les cigarettes, doivent être maintenues suffisamment éloignées du site d'installation, de réparation, d'enlèvement et de mise au rebut, lorsqu'un réfrigérant inflammable peut éventuellement être libéré dans l'espace environnant. Avant de réaliser un travail, la zone autour de l'équipement doit être étudiée afin de s'assurer qu'il n'existe aucun danger ou risque d'inflammation. Des panneaux « Interdiction de fumer » doivent être affichés.

6-7 Zone ventilée

Assurez-vous que la zone est à l'air libre ou qu'elle est convenablement aérée avant de rentrer dans le système ou de réaliser des travaux à chaud. Un certain degré de ventilation doit être maintenu pendant la période de réalisation des travaux. La ventilation doit permettre de disperser tout le réfrigérant libéré en toute sécurité et de préférence de l'expulser extérieurement dans l'atmosphère.

6-8 Contrôles de l'équipement de réfrigération

Lorsque des composants électriques sont modifiés, ils doivent être adaptés au but prévu et à la

CONSIGNES DE SÉCURITÉ

spécification correcte . À tout moment, il convient de suivre les directives de maintenance et d'entretien du fabricant. En cas de doute, consultez le service technique du fabricant pour obtenir de l'aide. Les contrôles suivants doivent être appliqués aux installations en utilisant des réfrigérants inflammables :

- La taille de la charge est conforme à la taille de la pièce dans laquelle les pièces contenant du réfrigérant sont installées ;
- La machine de ventilation et les sorties fonctionnent convenablement et ne sont pas obstruées ;
- Si un circuit de réfrigération indirect est utilisé, le circuit secondaire doit être vérifié pour s'assurer de la présence de réfrigérant ;
- Le marquage sur l'équipement doit rester visible et lisible. Le marquage et les signes illisibles doivent être corrigés ;
- Le conduit de réfrigération ou les composants sont installés dans une position où il est peu probable qu'ils soient exposés à une éventuelle substance susceptible de corroder les composants contenant du réfrigérant, sauf si les composants sont réalisés en matériaux intrinsèquement résistants à la corrosion ou convenablement protégés dans ce but.

6-9 Contrôles des dispositifs électriques

La réparation et l'entretien de composants électriques doivent inclure des contrôles de sécurité initiaux et des procédures d'inspection de composants. En cas de panne susceptible de compromettre la sécurité, aucune alimentation électrique ne doit être connectée au circuit tant que la sécurité n'est pas satisfaisante. Si la panne ne peut pas être corrigée immédiatement mais qu'il est nécessaire de poursuivre l'opération, une solution temporaire adéquate doit être utilisée. Cela doit être rapporté au propriétaire de l'équipement, et toutes les parties doivent être informées. Les contrôles de sécurité initiaux comprendront :

- La vérification que les condensateurs sont déchargés : cela doit être fait d'une manière sûre afin d'éviter la possibilité de production d'étincelles ;
- la vérification qu'il n'y a aucun composant électrique et câblage sous tension exposé pendant la charge, la récupération ou la purge du système ;
- la vérification qu'il existe une continuité de la liaison à la terre.

7. Réparations des composants scellés

Pendant les réparations des composants scellés, toutes les alimentations électriques doivent être débranchées de l'équipement sur lequel on travaille avant toute déconnexion d'une alimentation électrique scellée à l'équipement pendant la maintenance, puis, une forme permanente de détection de fuite doit être placée au point le plus critique pour avertir d'une situation potentiellement dangereuse. Il convient de faire particulièrement attention à ce qui suit lors du travail sur des composants électriques. Le boîtier ne doit pas être altéré de façon à affecter le niveau de protection. Cela comprend des dommages aux câbles, un nombre excessif de connexions, des bornes non réalisées selon la spécification d'origine, des dommages aux joints, une installation incorrecte des presse-étoupes, etc.

Il convient de s'assurer que l'appareil est monté en toute sécurité. Assurez-vous que les joints ou matériels d'étanchéité ne sont pas dégradés au point de ne plus pouvoir servir à prévenir l'entrée d'atmosphères inflammables. Les pièces de remplacement doivent être conformes aux spécifications du fabricant.

REMARQUE :

L'utilisation d'un mastic au silicone peut inhiber l'efficacité de certains types d'équipements de détection de fuite. Des composants à sécurité intrinsèque n'ont pas besoin d'être isolés avant de travailler dessus.

CONSIGNES DE SÉCURITÉ

8. Réparation des composants à sécurité intrinsèque

Ne pas appliquer de charges inductives ou de capacitance permanentes au circuit sans s'assurer que cela ne dépassera pas la tension autorisée et l'intensité permise pour l'équipement utilisé. Des composants à sécurité intrinsèque sont les seuls composants sur lesquels il est possible de travailler alors qu'ils sont sous tension en présence d'une atmosphère inflammable. L'appareil de test doit être classé à la valeur correcte. Remplacer les composants uniquement par des pièces spécifiées par le fabricant. D'autres pièces peuvent provoquer l'inflammation de l'atmosphère du réfrigérant en cas de fuite.

9. Câblage

Vérifiez que le câblage ne sera pas soumis à l'usure, à la corrosion, à une pression excessive, à des vibrations, à des arêtes vives ou à tout autre effet environnemental négatif. Le contrôle doit également tenir compte des effets du vieillissement ou des vibrations continues provenant de sources telles que les compresseurs ou les ventilateurs.

10. Détection de réfrigérants inflammables

En aucun cas, des sources potentielles d'inflammation ne doivent être utilisées dans la recherche ou la détection de fuites de réfrigérant. Il est interdit d'utiliser une torche halogénure (ou tout autre détecteur utilisant une flamme nue).

10. Méthodes de détection de fuites

Les méthodes de détection de fuites suivantes sont jugées acceptables pour les systèmes contenant des réfrigérants inflammables :

- Des détecteurs de fuites électroniques doivent être utilisés pour détecter des réfrigérants inflammables, mais la sensibilité peut ne pas être adéquate, ou peut nécessiter un recalibrage (l'équipement de détection doit être calibré dans une zone sans réfrigérant).
- Assurez-vous que le détecteur ne soit pas une source potentielle d'inflammation et qu'il soit adapté au réfrigérant utilisé.
- L'équipement de détection de fuite doit être réglé à un pourcentage du LFL du réfrigérant et il doit être calibré selon le réfrigérant utilisé et le pourcentage de gaz approprié (25% maximum) doit être confirmé.
- Les fluides de détection de fuite sont adaptés pour une utilisation avec la plupart des réfrigérants mais l'utilisation de détergents contenant du chlore doit être évitée car le chlore peut réagir avec le réfrigérant et corroder le conduit en cuivre.
- En cas de suspicion de fuite, toutes les flammes nues doivent être éliminées/éteintes.
- En cas de fuite de réfrigérant qui nécessite un brasage, tout le réfrigérant doit être récupéré du système, ou isolé (au moyen de soupapes d'arrêt) dans une partie du système éloigné de la fuite.

11. Suppression et évacuation

- Lors de l'introduction dans le circuit de réfrigérant pour faire des réparations - ou pour tout autre but, des procédures conventionnelles doivent être utilisées. Toutefois, il est important de suivre les meilleures pratiques lorsqu'il s'agit d'inflammabilité.

Il convient de suivre la procédure suivante :

- Enlevez le réfrigérant ;
- Purgez le circuit avec un gaz inerte ;
- Évacuez ;
- Purgez avec un gaz inerte ;
- Ouvrez le circuit par découpe ou brasage.

La charge de réfrigérant doit être récupérée dans les cylindres de récupération corrects. Le système

CONSIGNES DE SÉCURITÉ

doit être « rincé » avec de l'OFN pour rendre l'unité sûre pour les réfrigérants inflammables. Il est possible qu'il faille répéter ce processus plusieurs fois. Il ne faut pas utiliser d'air comprimé ou d'oxygène pour cette tâche. La purge doit être réalisée par une ouverture de remplissage jusqu'à obtention de la pression de travail, puis par une ventilation à l'atmosphère, et enfin une dépression jusqu'au vide. Ce processus doit être répété jusqu'à ce qu'il n'y ait plus de réfrigérant dans le système. Lorsque la charge finale est utilisée, le système doit être ventilé à la pression atmosphérique pour permettre le travail. Cette opération est absolument vitale si des opérations de brasage sur les conduits doivent avoir lieu. Il faut s'assurer que la sortie pour la pompe à vide n'est pas proche d'éventuelles sources d'inflammation et qu'il existe un vide dans le système avec de l'OFN et qu'une ventilation continue est disponible.

12. Procédures de charge

Outre les procédures de charge conventionnelles, les conditions requises suivantes doivent être suivies :

- Assurez-vous qu'aucune contamination de différents réfrigérants ne se produit lors de l'utilisation de l'équipement de charge.
- Les tuyaux ou conduits doivent être le plus court possible afin de minimiser la quantité de réfrigérant qu'ils contiennent.
- Les cylindres doivent être maintenus dans une position appropriée selon les instructions.
- Assurez-vous que le système de réfrigération est mis à la terre avant de charger le système avec du réfrigérant.
- Étiquetez le système lorsque la charge est complète (si ce n'est pas déjà le cas).
- Il convient de faire très attention à ne pas trop remplir le système de réfrigération. Avant de recharger le système, il doit être testé sous pression avec de l'OFN.

Le système doit être testé pour vérifier les fuites lors de l'achèvement de la charge mais avant la mise en service.

Un test de fuite de suivi doit être réalisé avant de quitter le site.

13. Démantèlement

Avant de réaliser cette procédure, il est essentiel que le technicien connaisse parfaitement l'équipement dans les moindres détails. Il est une bonne pratique recommandée que tous les réfrigérants soient récupérés en toute sécurité. Avant d'effectuer cette tâche, un échantillon d'huile et de réfrigérant doit être prélevé, si une analyse s'avère nécessaire avant de réutiliser le réfrigérant récupéré. Il est essentiel de disposer d'une source d'électricité avant de commencer l'opération.

- a. Familiarisez-vous avec l'équipement et son fonctionnement.
- b. Isolez le système électriquement.
- c. Avant de tenter la procédure, assurez-vous que :
 - Un équipement de manipulation mécanique est disponible, si nécessaire, pour manipuler les cylindres de réfrigérant ;
 - Tout l'équipement de protection individuelle est disponible et utilisé correctement ;
 - Le processus de récupération est supervisé à tout moment par une personne compétente ;
 - L'équipement de récupération et les cylindres sont conformes aux normes appropriées.
- d. Évacuez le système réfrigérant, si possible.
- e. S'il n'est pas possible d'atteindre le vide, réalisez un collecteur de sorte que le réfrigérant puisse être enlevé des différentes parties du système.
- f. Assurez-vous que le cylindre est situé sur les gradins avant que la récupération n'ait lieu.

CONSIGNES DE SÉCURITÉ

- g. Démarrez la machine de récupération et faites-la fonctionner conformément aux instructions.
- h. Ne surchargez pas les cylindres. (Pas plus de 80% en volume de charge de liquide).
- i. Ne dépassez pas la pression de fonctionnement maximale du cylindre, même temporairement.
- J. Lorsque les cylindres ont été remplis correctement et que le processus est terminé, assurez-vous que les cylindres et l'équipement sont enlevés du site rapidement et que toutes les soupapes d'isolation sur l'équipement sont fermées.
- k. Le réfrigérant récupéré ne doit pas être chargé dans un autre système de réfrigérant sauf s'il a été nettoyé et vérifié.

14. Étiquetage

L'équipement doit être étiqueté en indiquant qu'il a été démantelé et vidé de son réfrigérant. L'étiquette doit être datée et signée. Assurez-vous qu'il existe des étiquettes sur l'équipement indiquant que l'équipement contient du réfrigérant inflammable.

15. Récupération

Lors de l'enlèvement du réfrigérant d'un système, soit pour des raisons d'entretien ou de démantèlement, il est de bonne pratique recommandée que tous les réfrigérants soient enlevés en toute sécurité. Lors du transfert du réfrigérant dans des cylindres, assurez-vous que seul des cylindres de récupération appropriés soient utilisés. Assurez-vous que le nombre correct de cylindres pour le maintien de la charge totale du système soit disponible. Tous les cylindres à utiliser sont désignés pour le réfrigérant récupéré et étiquetés pour ce réfrigérant (à savoir des cylindres spéciaux pour la récupération de tout le réfrigérant). Les cylindres doivent être complets avec une soupape de détente et des soupapes d'arrêt associées, en bon état de marche. Des cylindres de récupération vides sont évacués et, si possible, refroidis avant que la récupération ne se produise. L'équipement de récupération doit être en bon état de fonctionnement avec un ensemble d'instructions concernant l'équipement qui restent à portée de main et qui sont adaptées pour la récupération de réfrigérants inflammables. En outre, un ensemble d'échelles de pesée calibrées doit être disponible et en bon état de marche. Les tuyaux doivent être complets avec des raccords de déconnexion sans fuite et en bon état. Avant d'utiliser la machine de récupération, vérifiez qu'elle est en parfait état de marche, qu'elle est convenablement entretenue et que tous les éventuels composants associés sont scellés pour éviter toute inflammation en cas de libération de réfrigérant. Consultez le fabricant en cas de doute. Le réfrigérant récupéré doit être renvoyé au fournisseur de réfrigérant dans le cylindre de récupération correct, et la Note de Transfert de Rebut pertinente doit être préparée. Ne mélangez pas les réfrigérants dans les unités de récupération et en particulier dans les cylindres. Si les compresseurs ou les huiles de compresseur doivent être enlevés, assurez-vous qu'ils aient été évacués à un niveau acceptable pour s'assurer qu'il ne reste aucun réfrigérant inflammable dans le lubrifiant. Le processus d'évacuation doit être réalisé avant de renvoyer le compresseur aux fournisseurs. Seul le chauffage électrique au corps du compresseur doit être utilisé pour accélérer ce processus. Lorsque l'huile est vidangée d'un système, cela doit être effectué en toute sécurité. Lors du déplacement ou du remplacement du climatiseur, consultez des techniciens de maintenance expérimentés pour le débranchement et la réinstallation de l'unité. Ne placez pas d'autres produits électriques ou éléments domestiques sous l'unité intérieure ou l'unité extérieure. La condensation qui s'égoutte depuis l'unité pourrait les mouiller, et provoquer des dommages ou dysfonctionnements de vos biens. Maintenez les ouvertures de ventilation dénuées de toute obstruction. L'appareil doit être stocké dans une zone bien aérée où la taille de la pièce correspond à la superficie de la pièce spécifiée pour le fonctionnement. L'appareil doit être stocké dans une salle sans flammes nues en fonctionnement continu (par exemple un appareil à gaz) et sans source d'inflammation (par exemple un chauffage électrique en fonctionnement). Les connecteurs mécaniques et les joints évasés réutilisables sont interdits.

Interface utilisateur



Commencer à utiliser de votre climatiseur



POWER

1. Appuyez sur la touche d'alimentation pour démarrer ou arrêter le fonctionnement de votre appareil.



MODE

2. Appuyez sur la touche mode pour sélectionner le mode de fonctionnement en séquence de Cool dry, Fan ou Heat.



3. Appuyez sur la touche de réglage de température pour régler la température souhaitée.



FAN

4. Appuyez sur la touche FAN (ventilateur) pour choisir la vitesse de ventilateur souhaitée en séquence High, Mid ou Low.



Réinitialisation du filtre

1. Lorsque le voyant de Réinitialisation du filtre est allumé, enlevez, nettoyez et remplacez le filtre à air. Voir « Nettoyage du filtre à air ».
2. Appuyez sur la touche FILTER (Filtre) et relâchez-la après avoir remplacé le filtre à air.

REMARQUE : Après 360 heures de fonctionnement du ventilateur, le voyant Filtre s'allumera. Il restera allumé pendant 180 heures ou jusqu'à ce que vous appuyez sur la touche FILTER (Filtre).

Après 180 heures, il se coupe automatiquement.

REMARQUE IMPORTANTE :

- * Lorsque le climatiseur est allumé pour la première fois après avoir été branché, il fonctionnera en Mode 6th Sense.
- * L'écran du climatiseur montre la température de réglage. Uniquement en mode standby, l'écran affiche la température ambiante.
- * Lors du changement de modes pendant que le climatiseur fonctionne, le compresseur s'arrêtera pendant 3 à 5 minutes avant de redémarrer. Si on appuie sur une touche pendant ce temps, le compresseur ne redémarrera pas pendant 3 à 5 autres minutes.
- * En mode Refroidissement ou Sec, le compresseur et le ventilateur de condensateur s'arrêteront quand la température ambiante atteint la température établie
- * En Mode Ventilateur uniquement, la température ne peut PAS être réglée.
- * Le chauffage n'est PAS disponible pour le climatiseur en fonctionnement Refroidissement uniquement.
- * Les modes de fonctionnement ci-dessous ne peuvent être réglés que par la télécommande.

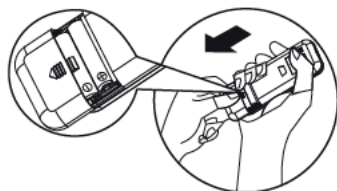


- * En cas de panne de courant, votre climatiseur fonctionnera aux réglages précédents lorsque le courant sera rétabli.
- * Si l'unité fonctionne dans un environnement à UNLIKELY VERY HUMIDITY (HUMIDITÉ TRÈS IMPROBABLE), de l'eau sera collectée dans le réservoir à l'intérieur de l'unité. Le climatiseur s'arrêtera une fois que le réservoir d'eau est plein et l'écran affichera « E5 » pour vous informer de vider le récipient intérieur. Il y a un tube en plastique à l'arrière de l'appareil, déplacez l'appareil jusqu'à un endroit sûr, disposez le tube en plastique pour vidanger l'eau.

Télécommande

Insérez les batteries dans la télécommande

1. Insérez une fiche et appuyez lentement vers le bas sur le couvercle des piles et poussez dans le sens de la flèche, comme indiqué.
2. Insérez 2 piles AAA (1,5V) dans le compartiment. Assurez-vous que la polarité « + » et « - » est correctement positionnée.
3. Fermez le couvercle des piles sur la télécommande.



• Préréglage de la télécommande

À chaque fois que les piles sont remplacées dans la télécommande, celle-ci est préréglée en mode Pompe à chaleur. La télécommande CA de la pompe à chaleur peut être utilisée pour commander les modèles CA à refroidissement seul.

- La télécommande fera fonctionner le climatiseur à une distance pouvant atteindre 7 m.

Remarque : merci de suivre les instructions qui correspondent à la télécommande que vous avez reçue pour le fonctionnement du Climatiseur.

Description fonctionnelle des touches

1. **TOUCHE ON/OFF (MARCHE/ARRÊT)**
La pression sur cette touche permet d'allumer ou d'éteindre l'appareil.
2. **TOUCHE MODE**
Utilisée pour sélectionner le mode de fonctionnement.
3. **TOUCHE FAN (VENTILATEUR)**
Il est utilisé pour sélectionner la vitesse du ventilateur en séquence auto, élevée, moyenne ou basse.
- 4-5. **TOUCHE TEMPERATURE (TEMPÉRATURE)**
Utilisée pour sélectionner la température ambiante. Utilisée pour régler l'heure en mode minuterie et l'horloge en temps réel.
6. **TOUCHE 6th SENSE**
Règle ou annule le fonctionnement du mode 6th Sense. Dans ce mode, la température et la vitesse du ventilateur sont automatiquement réglées sur la base de la température ambiante effective.
7. **TOUCHE SWING**
Permet d'arrêter ou de démarrer l'oscillation du volet de réglage horizontal et règle la direction du flux d'air vers le haut/vers le bas.
8. **TOUCHE SLEEP**
1) Une pression courte règle ou efface le fonctionnement du Mode Sleep. Le mode Sleep peut être réglé en mode de fonctionnement Refroidissement, Chauffage ou Sec, cette fonction vous donne un environnement plus confortable pour dormir.
2) Pression longue, appuyez 3 secondes pour allumer ou couper l'éclairage de l'écran sur l'unité.
9. **TOUCHE AROUND U**
Utilisée pour démarrer ou annuler la fonction Around U. Quand vous appuyez sur ce bouton, la télécommande transmet la température ambiante effective à l'unité intérieure et l'appareil fonctionnera en fonction de cette température pour une meilleure sensation de confort.
10. **TOUCHE TIMER (MINUTERIE)**
Utilisée pour régler ou annuler la mise en route de la minuterie.
Utilisée pour régler ou annuler l'arrêt de la minuterie..
11. **TOUCHE SILENT**
Utilisée pour régler ou effacer le fonctionnement Silent. Appuyez sur le bouton Silent pour laisser l'unité fonctionner à un niveau de bruit faible pour obtenir un environnement ambiant calme et confortable.

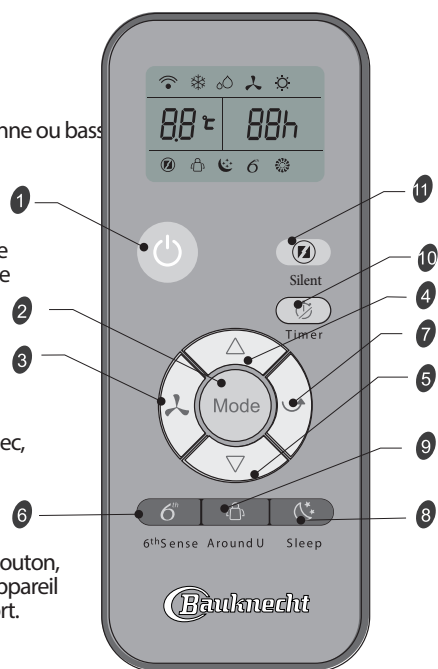
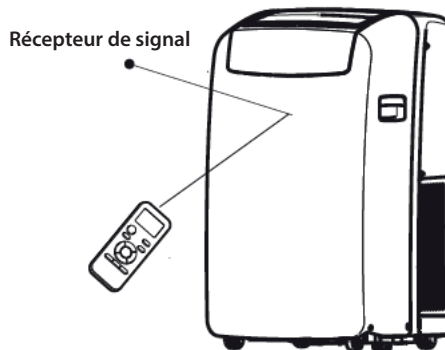
Note : Dans des conditions environnementales extrêmes, il est possible de constater une légère augmentation temporaire du bruit due à la nécessité d'atteindre la température de confort rapidement.

Symboles sur l'affichage de la télécommande

- | | | | | | | | |
|--|----------------------------|--|------------------------------------|--|----------------------|--|-------------------------------|
| | Voyant de refroidissement | | Vitesse de ventilateur automatique | | indicateur 6th Sense | | Transmission de signal |
| | Voyant Dry | | Vitesse de ventilateur élevée | | Voyant Sleep | | Affichage minuterie |
| | Voyant de ventilateur seul | | Vitesse de ventilateur moyenne | | Voyant Around U | | Affichage température établie |
| | Voyant de chauffage | | Vitesse de ventilateur basse | | Voyant Silent | | |

Utilisation de la télécommande pour commander l'appareil

- Pour faire fonctionner l'appareil par le biais de la télécommande, pointez la télécommande vers le dispositif récepteur sur l'unité intérieure, pour assurer la sensibilité de réception.
- Pour envoyer un message depuis la télécommande, le symbole clignotera pendant 1 seconde. Dès réception du message, l'appareil émettra un bip.



Entretien

Vidange du climatiseur

(Veuillez raccorder le tuyau d'évacuation en mode chauffage, autrement l'unité s'arrêtera de fonctionner après avoir atteint le niveau d'avertissement).

1. Appuyez sur ON/OFF pour couper le climatiseur.
2. Débranchez le climatiseur ou coupez le courant.
3. Déplacez l'appareil doucement et de manière stable jusqu'à un emplacement de drainage ou à l'extérieur pour vidanger l'eau. Ne déplacez pas l'unité avant que l'eau ne soit totalement vidangée.
4. Enlevez le bouchon de vidange secondaire et vidangez totalement l'eau.
5. Retirez le flexible de vidange primaire du clip de tuyau. Enlevez le bouchon du tuyau de vidange de l'extrémité du tuyau de vidange primaire et vidangez totalement l'eau.

REMARQUE : Si le climatiseur est stocké après utilisation, consultez la section « Stockage après utilisation ».

6. Réinstallez le bouchon du flexible de vidange et le bouchon de vidange secondaire.
7. Refixez le flexible de vidange primaire au clip de flexible de vidange.
8. Repositionnez le climatiseur.
9. Branchez le climatiseur ou remettez le courant.
10. Appuyez sur ON/OFF pour démarrer le climatiseur.

Nettoyage du filtre à air

1. Appuyez sur ON/OFF pour couper le climatiseur.
2. Ouvrez la porte du panneau de filtre à l'arrière du climatiseur et enlevez-le.
3. Enlevez le filtre à air de la porte du panneau de filtre.
4. Utilisez un aspirateur pour nettoyer le filtre. Si le filtre est très sale, lavez-le dans de l'eau tiède avec un détergent doux.

REMARQUE : Ne lavez pas le filtre dans le lave-vaisselle ou n'utilisez aucun détergent chimique.

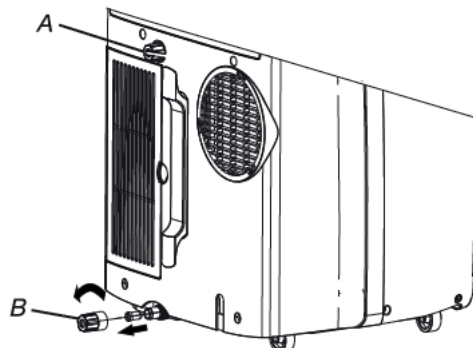
5. Séchez totalement le filtre à l'air avant de le remettre en place pour assurer une efficacité maximale.
6. Refixez le filtre à air à la porte du panneau de filtre.
7. Réinstallez la porte du panneau de filtre.
8. Appuyez sur ON/OFF pour démarrer le climatiseur.

Nettoyage de l'extérieur

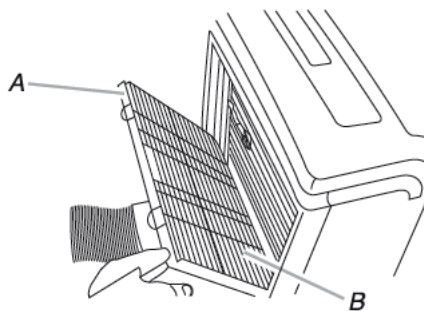
1. Débranchez le climatiseur ou coupez le courant.
2. Enlevez le filtre à air et nettoyez-le séparément. Voir « Nettoyage du filtre à air ».
3. Essuyez l'extérieur du climatiseur avec un chiffon doux imbibé d'eau.
4. Branchez le climatiseur ou remettez le courant.
5. Appuyez sur ON/OFF pour démarrer le climatiseur.

Mise au rebut des piles

Pour protéger les ressources naturelles et promouvoir la réutilisation du matériel, veuillez séparer les piles des autres types de déchets et les recycler par le biais de votre système de retour de piles gratuit local.



A. Bouchon de vidange secondaire
B. Bouchon de flexible de vidange



A. Porte de panneau de filtre
B. Filtre à air

Stockage après l'utilisation

1. Vidangez l'eau (voir la section « Vidange du climatiseur »).
2. Faites fonctionner le climatiseur réglé sur Fan Only (Ventilateur uniquement) pendant environ 12 heures pour sécher le climatiseur.
3. Débranchez le climatiseur.
4. Enlevez le tuyau d'échappement flexible et stockez-le avec le climatiseur dans une zone propre et sèche. Voir les « Instructions d'installation ».
5. Enlevez le kit de fenêtre et stockez-le avec le climatiseur dans une zone propre et sèche. Voir les « Instructions d'installation ».
6. Enlevez le filtre et nettoyez-le. Voir « Nettoyage du filtre à air ».
7. Nettoyez l'extérieur du climatiseur. Voir « Nettoyage de l'extérieur ».
8. Réinstallez le filtre.
9. Enlevez les piles et stockez la télécommande avec le climatiseur dans une zone propre et sèche.

Instructions d'installation

Outils et pièces

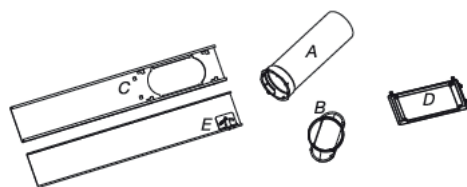
Regroupez les outils et pièces nécessaires avant de commencer l'installation. Lire et suivre les instructions fournies avec les outils indiqués ici.

1. Outils requis

- Tournevis Phillips
- Scie
- Perceuse sans fil et foret de 1/8"
- Ciseaux
- Crayon à papier

2. Pièces fournies

La société ne fournit qu'un plan pour installer le climatiseur local. Voir « Installation du climatiseur local ».



- A.** Tuyau d'échappement flexible
- B.** Adaptateur d'échappement de fenêtre
- C.** Section de coulisse extérieure
- D.** Couverture anti-pluie
- E.** Section de coulisse intérieure

Conditions requises relatives à l'emplacement

REMARQUE :

- Le tuyau d'échappement flexible permet de placer le climatiseur entre 23 1/2" et 67" (60 cm et 170 cm) d'une fenêtre ou d'une porte. L'appareil équipé d'un chauffage supplémentaire doit être maintenu à une distance minimum de 100 cm des surfaces combustibles. L'appareil doit être installé, actionné et stocké dans une salle ayant une superficie au sol supérieure à 14.5 m² et supérieure à 2,2 m. Les climatiseurs locaux sont conçus comme un système de refroidissement supplémentaire dans des zones locales au sein d'une pièce.
- Pour assurer une ventilation correcte, maintenez la distance requise entre la sortie d'air de retour et le mur ou d'autres obstacles à au moins 23 1/2" (60 cm).
- Ne bloquez pas la sortie d'air.
- Prévoyez un accès facile à la prise de terre.

Conditions requises électriques

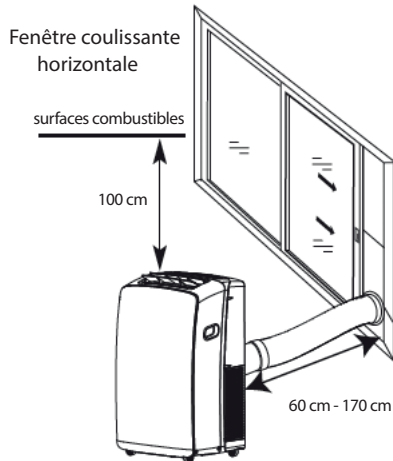
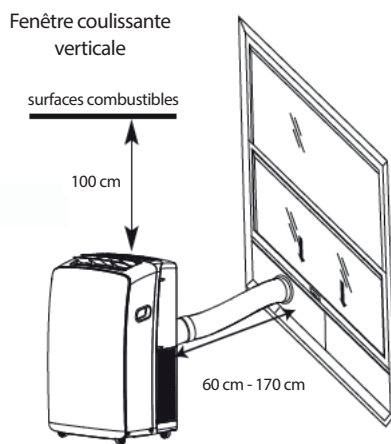
- Le climatiseur local doit être raccordé à une prise 220-240V / 50Hz, avec un fusible de 20-amp et mise à la terre.
- L'utilisation d'un fusible temporisé ou d'un disjoncteur temporisé est recommandée.
- Tout le câblage doit être conforme aux réglementations locales et nationales en matière d'électricité et il doit être installé par un électricien qualifié. Si vous avez des questions, contactez un électricien qualifié.

Utilisation de votre cordon d'alimentation électrique :

Branchez le cordon d'alimentation électrique dans une prise avec terre.

REMARQUE :

- Un câble d'alimentation endommagé doit être remplacé par un nouveau câble d'alimentation obtenu auprès du fabricant du produit et il ne doit pas être réparé.
- Température de fonctionnement du refroidissement 21°C- 35°C
Température de fonctionnement du chauffage 7°C-27°C



Dépannage

Les problèmes de fonctionnement sont souvent dus à des causes mineures, merci de vérifier et de vous référer au graphique suivant avant de contacter le service après-vente. Cela permettra d'économiser du temps et des dépenses inutiles.

Problème	Analyse
Le climatiseur ne fonctionne pas	<ul style="list-style-type: none"> Le cordon d'alimentation est débranché. Branchez dans une prise avec terre. Voir « Conditions requises électriques ». Un fusible a grillé ou un disjoncteur s'est déclenché. Remplacez le fusible, ou réinitialisez le disjoncteur. Voir « Conditions requises électriques ». La touche On/Off n'a pas été enfoncée. Appuyez sur ON/OFF. Le courant local est en panne. Attendez que le courant soit rétabli. Un fusible ou disjoncteur temporisé de capacité erronée est utilisé. Remplacez par un fusible ou disjoncteur temporisé de la capacité correcte. Voir « Conditions requises électriques ».
Le climatiseur grille les fusibles ou enclenche les disjoncteurs du circuit	<ul style="list-style-type: none"> Trop d'appareils sont utilisés sur le même circuit. Débranchez ou remplacez des appareils qui partagent le même circuit. Vous essayez de redémarrer le climatiseur trop tôt après l'avoir coupé. Attendez au moins 3 minutes après avoir coupé le climatiseur avant d'essayer de le redémarrer. Vous avez changé de modes. Attendez au moins 3 minutes après avoir coupé le climatiseur avant d'essayer de redémarrer l'appareil.
Le climatiseur semble trop fonctionner	<ul style="list-style-type: none"> Y-a-t-il une porte ou une fenêtre ouverte ? Maintenez les portes et fenêtres fermées. En mode refroidissement : le climatiseur est dans une pièce fortement occupée, ou des appareils produisant de la chaleur sont utilisés dans la pièce. Utilisez des ventilateurs d'échappement pendant la cuisson ou le bain ou essayez de ne pas utiliser d'appareils produisant de la chaleur pendant la partie la plus chaude du jour. Les climatiseurs locaux sont conçus comme un système de refroidissement supplémentaire dans des zones locales au sein d'une pièce. Un climatiseur de capacité supérieure peut s'avérer nécessaire, en fonction de la taille de la pièce refroidie. En mode chauffage : le climatiseur est dans une pièce très froide. Les climatiseurs locaux sont conçus comme un système de chauffage supplémentaire dans des zones locales au sein d'une pièce. Un climatiseur de capacité supérieure peut s'avérer nécessaire, en fonction de la taille de la pièce chauffée.
Le climatiseur fonctionne uniquement sur un court laps de temps mais la pièce n'est pas froide ou chaude	<ul style="list-style-type: none"> La température réglée est proche de la température ambiante. Température réglée inférieure ou supérieure. Voir « Description du mode de fonctionnement ».
Affichage code d'erreur	<ul style="list-style-type: none"> Si le code d'erreur E5 apparaît sur l'écran de l'unité, l'unité est pleine d'eau, vous devez vidanger l'eau, voir « Vidange du climatiseur ». Après la vidange, vous pouvez utiliser l'unité. En cas de code d'erreur E1/E2/E3/E6/E7/EA, contactez le service client.
Le climatiseur fonctionne mais ne refroidit/ne chauffe pas	<ul style="list-style-type: none"> Le filtre est sale ou obstrué par des débris. Nettoyez le filtre. La sortie d'air est bloquée. Nettoyez la sortie d'air. La température de réglage n'est pas compatible. En mode refroidissement : la température réglée est trop élevée. Réglez une température inférieure. En mode chauffage : la température réglée est trop basse. Réglez une température supérieure
Les cycles de marche/arrêt du climatiseur sont trop nombreux	<ul style="list-style-type: none"> Le climatiseur n'est pas convenablement dimensionné pour votre pièce. Vérifiez les capacités de refroidissement/chauffage de votre climatiseur local. Les climatiseurs locaux sont conçus comme un système de refroidissement/chauffage supplémentaire dans des zones locales au sein d'une pièce. Le filtre est sale ou obstrué par des débris. Nettoyez le filtre. En mode refroidissement, il y a trop de chaleur ou d'humidité (cuisson avec récipient ouvert, douches, etc) dans la pièce. Utilisez un ventilateur pour évacuer la chaleur ou l'humidité de la pièce. Essayez de ne pas utiliser d'appareils produisant de la chaleur pendant la partie la plus chaude de la journée. En mode chauffage, la température ambiante est trop élevée. N'utilisez pas le climatiseur quand la température ambiante est trop élevée. Les volets sont bloqués. Installez le climatiseur dans un endroit où les volets ne sont pas gênés par des rideaux, panneaux occultants, meubles, etc. La température extérieure est inférieure à 18°C. N'essayez pas de faire fonctionner votre climatiseur en mode refroidissement lorsque la température extérieure est inférieure à 18°C.

Remarque : Si les problèmes persistent, coupez l'appareil et débranchez-le de l'alimentation électrique, puis contactez le Service après-vente agréé Whirlpool le plus proche. N'essayez pas de déplacer, réparer, démonter ou modifier l'appareil par vous-même.

SERVICE APRÈS VENTE

Avant de contacter le Service Après-vente :

1. Essayez de remédier par vous-même au problème en consultant les descriptions indiquées dans le chapitre « Diagnostic rapide ».
2. Éteignez l'appareil puis rallumez-le pour vérifier si l'anomalie a été éliminée.

Si le problème persiste après avoir effectué les contrôles ci-dessus, contactez le Service Après-vente.

Veillez fournir :

- une brève description du défaut ;
- le modèle exact du climatiseur ;
- le numéro de service (c'est le numéro que l'on trouve sous le mot Service sur l'autocollant de service situé sur le côté ou dans le bas de l'unité intérieure).
- ce code d'identification est également indiqué dans le livret de garantie ;
- votre adresse complète ;
- votre numéro de téléphone.

Remarque : si vous voulez le manuel complet pour votre appareil, téléchargez-le sur le site internet à travers le lien ci-dessous : docs.Bauknecht.eu en utilisant le code QR

**Whirlpool EMEA
Via Pisacane 1
20016 PERO (MI) ITALIE**



Si des travaux de réparation doivent être réalisés, contactez le

Service Après-vente (l'utilisation de pièces de rechange d'origine et une réparation correcte sont garanties). Vous aurez besoin de présenter la facture originale.

Le non-respect des présentes instructions pourrait compromettre la sécurité et la qualité du produit.

SERVICE 0000 000 00000



VEILIGHEIDSVOORSCHRIFTEN

BELANGRIJK MOET WORDEN GELEZEN EN IN ACHT GENOMEN

- Download de volledige gebruiksaanwijzing op docs.Bauknecht.eu of bel het telefoonnummer dat in het garantieboekje staat.
- Lees voordat u het apparaat gaat gebruiken deze veiligheidsinstructies. Houd ze binnen handbereik voor toekomstige raadpleging.
- Deze instructies en het apparaat zelf zijn voorzien van belangrijke veiligheidsaanwijzingen, die te allen tijde moeten worden opgevolgd. De fabrikant kan niet aansprakelijk gesteld worden voor schade die het gevolg is van het niet opvolgen van deze veiligheidsinstructies, oneigenlijk gebruik van het apparaat of een foute instelling van de regelknoppen.
- ⚠ Het apparaat maakt gebruik van ontvlambaar koelmiddel (R290), het maximale koelmiddellading is 0,3kg. Het apparaat moet worden gemonteerd, gebruikt en opgeslagen in een kamer met een vloeroppervlakte die groter is dan 14.5m². En de kamer moet hoger zijn dan 2,2 m.
⚠ Het apparaat werd getest bij externe statische drukken tussen 0,95 MPa - 1,05 MPa.
- ⚠ Heel jonge kinderen (0-3 jaar) moeten uit de buurt van het apparaat worden gehouden. Jonge kinderen (3-8 jaar) moeten uit de buurt van het apparaat worden gehouden, tenzij ze constant onder toezicht staan. Kinderen vanaf 8 jaar en personen met verminderde fysieke, sensorische of mentale vermogens of gebrek aan ervaring en kennis, mogen dit apparaat gebruiken indien ze onder toezicht staan of instructies hebben ontvangen over veilig gebruik en de mogelijke gevaren ervan begrijpen. Kinderen mogen niet spelen met het apparaat. De reiniging en het onderhoud mogen niet door kinderen worden uitgevoerd zonder toezicht.

TOEGESTAAN GEBRUIK

- ⚠ VOORZICHTIG: het apparaat is niet geschikt voor inwerkingstelling met een externe timer of afzonderlijk systeem met afstandsbediening.
- ⚠ Dit apparaat is bedoeld voor gebruik in huishoudelijke en gelijkaardige toepassingen zoals: hotels en kantoren.
- ⚠ Dit apparaat is niet voor professioneel gebruik bestemd.
- ⚠ Zet de airconditioner altijd eerst uit met de afstandsbediening of de aan- en uittoets op het paneel van het product.
Gebruik de stroomonderbreker van de voeding niet om het apparaat uit te zetten. Zet het ook niet uit door de stekker uit te trekken.
Koppel de airconditioner los van de voeding als het apparaat voor een lange tijd niet gebruikt zal worden of bij onweer.

VEILIGHEIDSVOORSCHRIFTEN

⚠ Stop nooit voorwerpen in de luchtuitlaat, vanwege gevaar op verwondingen. Houd de ventilatieopeningen van het apparaat vrij van obstakels.

INSTALLATIE

- ⚠ Het apparaat moet gehanteerd en geïnstalleerd worden door twee of meer personen - risico van verwondingen. Gebruik beschermende handschoenen om uit te pakken en te installeren - risico voor snijwonden.
- ⚠ De installatie, inclusief elektrische aansluitingen, en herstellingen moeten worden uitgevoerd door een gekwalificeerd technicus in overeenstemming met de nationale bedradingsvoorschriften.

Repareer of vervang geen enkel onderdeel van het apparaat, behalve als dit expliciet aangegeven wordt in de gebruikershandleiding.

Houd kinderen uit de buurt van de installatieplaats. Controleer na het uitpakken van het apparaat of het tijdens het transport geen beschadigingen heeft opgelopen.

Neem in geval van twijfel contact op met uw leverancier of de dichtstbijzijnde Klantenservice.

Na de installatie moet het verpakkingsmateriaal (plastic, piepschuim enz.) buiten het bereik van kinderen bewaard worden - risico voor verstikking.

Het apparaat moet worden losgekoppeld van alle voedingen voordat u installatiewerkzaamheden uitvoert wegens het risico op elektrocutie.

Tijdens de installatie dient u ervoor te zorgen dat het apparaat de voedingskabel niet beschadigt - risico voor brand of elektrocutie. Activeer het apparaat alleen als de installatie is voltooid.

⚠ Door de flexibele uitlaatslang kan de airconditioner tussen 23" en 67" (60 cm en 170 cm) van een raam of deur worden geplaatst. Het apparaat met bijkomend verwarmingsapparaat moet op een afstand van minstens 100 cm van een ontvlambaar oppervlak worden geplaatst.

VEILIGHEIDSVOORSCHRIFTEN

- ⚠ Bedien uw klimaatregelaar niet in een vochtige kamer, zoals een badkamer of een wasruimte.
- ⚠ Koppel de voedingskabel los alvorens het apparaat te verplaatsen.

ELEKTRISCHE WAARSCHUWINGEN

- ⚠ De voeding moet een nominale spanning hebben met een afzonderlijk circuit voor het apparaat. De diameter van de voedingskabel moet voldoen aan de vereisten.
- ⚠ Het moet mogelijk zijn het apparaat van het elektriciteitsnet af te koppelen door de stekker uit het stopcontact te halen.
Het apparaat moet ook worden geaard volgens de nationale elektrische veiligheidsnormen.
- ⚠ Er wordt aangeraden een zekering met een vertraging of installatieautomaat met een vertraging te gebruiken. Alle bedrading moet voldoen aan de plaatselijke en nationale elektrische voorschriften en moet door een gekwalificeerd elektricien worden geïnstalleerd.
- ⚠ Gebruik geen verlengsnoeren, meervoudige stopcontacten of adapters. Als de installatie voltooid is, mogen de elektrische onderdelen niet meer toegankelijk zijn voor de gebruiker. Gebruik het apparaat niet wanneer u natte voeten hebt of blootsvoets bent. Gebruik het apparaat niet als de stroomkabel of de stekker beschadigd is, als het apparaat niet goed werkt of als het beschadigd of gevallen is.
- ⚠ Als de voedingskabel beschadigd is, moet deze door de fabrikant, zijn technicus of een gelijkaardig gekwalificeerd persoon vervangen worden door een identieke kabel, om gevaarlijke situaties te voorkomen. Er is namelijk risico op elektrocutie.
- ⚠ Zorg voor een veilige aarding en een massakabel die aangesloten is op het speciale aardingsstelsel van het gebouw en geïnstalleerd is door deskundigen. Het apparaat moet voorzien zijn van een beveiligingsschakelaar tegen elektrische ontlasting en een hulpinstallatieautomaat met voldoende capaciteit. De installatieautomaat moet tevens voorzien zijn van een magnetische en thermische schakelaar om beveiliging te garanderen in geval van kortsluiting en overbelasting.

Model	9K & 12K
Vereiste capaciteit van installatieautomaat	16A (Zekering type: 9k A+ HP,T3.15A/250VAC; Andere,T5A/250VAC)

REINIGING EN ONDERHOUD

- ⚠ **WAARSCHUWING:** Het apparaat moet worden losgekoppeld van het elektriciteitsnet voordat u onderhoudswerkzaamheden uitvoert; gebruik geen stoomreinigers - risico van elektrocutie.


VERWERKING VAN DE VERPAKKING

- De verpakking kan volledig worden gerecycled, zoals door het recyclingssymbool wordt aangegeven . De diverse onderdelen van de verpakking mogen daarom niet bij het gewone huisvuil worden weggegooid, maar moeten worden afgevoerd volgens de plaatselijke voorschriften.

AFDANKEN VAN HUISHOUDELIJKE APPARATUUR

- Dit apparaat is vervaardigd van recyclebaar of herbruikbaar materiaal. Verwerk het apparaat in overeenstemming met plaatselijke milieuvoorschriften voor afvalverwerking. Voor meer informatie over behandeling, terugwinning en recycling van huishoudelijke apparaten kunt u contact opnemen met uw plaatselijke instantie, de vuilnisophalendienst of de winkel waar u dit apparaat hebt gekocht. Dit apparaat is voorzien van het merkteken volgens de Europese Richtlijn 2012/19/EU inzake Afgedankte elektrische en elektronische apparaten (AEEA). Door ervoor te zorgen dat dit product correct wordt verwerkt, helpt u schadelijke gevolgen voor het milieu en de gezondheid te voorkomen.



Het symbool  op het product of op de begeleidende documentatie geeft aan dat dit apparaat niet als huishoudelijk afval behandeld mag worden, maar dat het ingeleverd moet worden bij een speciaal inzamelingscentrum voor de recycling van elektrische en elektronische apparatuur.

CONFORMITEITSVERKLARING

- Het koelgas bevindt zich in een hermetisch afgesloten systeem (R290, GWP 3). Zie het beoordelingslabel voor meer gedetailleerde informatie.

VEILIGHEIDSVOORSCHRIFTEN

Verklaring van de symbolen van de weergegeven eenheid.

 Caution, risk of fire	WAARSCHUWING	Dit symbool geeft aan dat dit apparaat gebruik maakt van een ontvlambaar koelmiddel. Als het koelmiddel eruit is gelekt en wordt blootgesteld aan een externe ontstekingsbron, is er brandgevaar
	VOORZICHTIG	Dit symbool geeft aan dat de gebruiksaanwijzing zorgvuldig moet worden gelezen
	VOORZICHTIG	Dit symbool geeft aan dat de apparatuur moet worden behandeld door servicepersoneel en volgens de installatiehandleiding
	VOORZICHTIG	Dit symbool geeft aan dat er informatie beschikbaar is zoals de gebruiksaanwijzing of de installatiehandleiding

VEILIGHEIDSVOORSCHRIFTEN VOOR SERVICEWERKZAAMHEDEN AAN APPARATEN MET EEN SPECIFIEK KOELMIDDEL

- Download de volledige gebruiksaanwijzing voor gedetailleerde methoden inzake installatie, servicewerkzaamheden, onderhoud en reparatie op docs.Bauknecht.eu.
 - ⚠ Gebruik geen middelen om het ontdooiproces te versnellen of reinigingsmiddelen, behalve degene die door de fabrikant zijn aanbevolen.
 - ⚠ Het apparaat moet worden opgeslagen in een goed geventileerde ruimte waarbij de kamerafmetingen overeenkomen met de kamerafmetingen die zijn voorgeschreven voor het gebruik van de machine; zonder voortdurend werkzame ontstekingsbronnen (zoals open vuur, een werkzaam gasapparaat of een werkzaam elektrisch verwarmingsapparaat).
 - ⚠ Niet doorboren of verbranden. Denk eraan dat de koelmiddelen geurloos kunnen zijn. Elke persoon die aan een koelcircuit werkt of het openmaakt, moet op dat moment beschikken over een geldig certificaat van een door de sector erkende beoordelingsbevoegdheid, dat zijn bekwaamheid aangeeft dat hij veilig met koelmiddelen kan omgaan volgens een door de sector erkende beoordelingspecificatie. Zoals aangeraden, mogen onderhoudswerkzaamheden enkel worden uitgevoerd door de fabrikant van de apparatuur. Onderhoud en herstellingen waarbij de bijstand van ander gekwalificeerd personeel nodig is, moeten worden uitgevoerd onder toezicht van een persoon die gekwalificeerd is om met ontvlambare koelmiddelen om te gaan. Het apparaat moet worden geïnstalleerd, bediend en opgeslagen in een kamer met een grotere vloeroppervlakte dan 14.5 m². Het installeren van de leidingen moet worden uitgevoerd in een kamer met een grotere vloeroppervlakte dan 14.5 m². De leidingen moeten conform de nationale gasvoorschriften zijn. De maximumvulling van het koelmiddel is 0,3 kg.
Wanneer flare-verbindingen worden hergebruikt, moet het flare-onderdeel opnieuw worden gefabriceerd.
1. Het transport van uitrusting met ontvlambare koelmiddelen erin moet gebeuren overeenkomstig de transportvoorschriften.
 2. Het markeren van de uitrusting aan de hand van signalisatie moet gebeuren overeenkomstig de plaatselijke voorschriften.

VEILIGHEIDSVOORSCHRIFTEN

3. De verwerking van apparatuur die gebruik maakt van ontvlambare koelmiddelen moet worden uitgevoerd in overeenstemming met de nationale voorschriften.
4. Het opslaan van uitrusting / apparaten moet gebeuren overeenkomstig de instructies van de fabrikant.
5. De opslagverpakingsbescherming voor apparatuur moet zo gefabriceerd zijn dat mechanische schade aan de apparatuur in de verpakking geen lek van de koelmiddellading kan veroorzaken. Het maximumaantal stuks uitrusting dat samen mag worden opgeslagen, wordt bepaald door plaatselijke voorschriften.
6. Informatie over servicewerkzaamheden.

6-1 Controles van de ruimte

Alvorens werkzaamheden uit te voeren aan een systeem met ontvlambare koelmiddelen, zijn er veiligheidscontroles nodig om ervoor te zorgen dat het risico op ontbranding wordt beperkt. Voor herstellingen van het koelsysteem, moeten aan de volgende voorzorgsmaatregelen voldaan zijn alvorens werk uit te voeren op het systeem.

6-2 Werkprocedure

Werkzaamheden moeten worden uitgevoerd volgens een gecontroleerde procedure om het risico op de aanwezigheid van ontvlambaar gas of ontvlambare dampen tijdens de uitvoering van het werk te beperken.

6-3 Algemene werkruimte

Al het onderhoudspersoneel en anderen die in de omliggende ruimte werken moeten op de hoogte worden gebracht van de aard van de werkzaamheden die worden uitgevoerd. Werken in beperkte ruimtes moet worden vermeden.

6-4 Controle op de aanwezigheid van koelmiddel

De ruimte moet voor en tijdens de werkzaamheden gecontroleerd worden met een geschikte koelmiddeldetector om ervoor te zorgen dat de technicus op de hoogte is van mogelijk ontvlambare omgevingen. Zorg ervoor dat de uitrusting die lekken moet opsporen, gebruikt mag worden bij ontvlambare koelmiddelen, dat ze m.a.w. geen vonken veroorzaakt, voldoende afgedicht is of intrinsiek veilig is.

6-5 Aanwezigheid van een brandblusapparaat

Als er op de koelapparatuur of onderdelen ervan werkzaamheden moeten worden uitgevoerd die hitte veroorzaken, dan moet er voldoende brandblusapparatuur binnen handbereik voorzien zijn. Stel een poederblusser of CO₂-brandblusser op in de buurt van de ruimte waar het vullen met het koelmiddel plaatsvindt.

6-6 Geen ontstekingsbronnen

Iemand die werkzaamheden aan een koelsysteem uitvoert waarbij een leiding wordt blootgelegd die met ontvlambaar koelmiddel gevuld is of was, mag geen enkele ontstekingsbron gebruiken die brandgevaar of ontploffingsgevaar kan veroorzaken.

Alle mogelijke ontstekingsbronnen, waaronder sigaretten, moeten voldoende ver worden gehouden van de plek van de installatie, de herstelling of het verwijderen en verwerken waarbij mogelijk ontvlambaar koelmiddel kan vrijkomen in de omringende ruimte. Alvorens werkzaamheden uit te voeren, moet de ruimte rond de apparatuur geïnspecteerd worden om zeker te zijn dat er geen brand- of ontstekingsgevaar is. "Verboden te roken"-signalisatie moet zijn aangebracht.

6-7 Geventileerde ruimte

Zorg ervoor dat de ruimte in de open lucht is of voldoende geventileerd is alvorens het systeem te openen of werkzaamheden die hitte veroorzaken, uit te voeren. Zorg voor een bepaalde mate van ventilatie terwijl de werkzaamheden worden uitgevoerd. Door de ventilatie moet enig vrijgekomen koelmiddel

VEILIGHEIDSVOORSCHRIFTEN

veilig worden uiteengedreven en, beter nog, worden afgevoerd naar de buitenlucht.

6-8 Controles van de koelapparatuur

Wanneer elektrische componenten worden veranderd, moeten ze geschikt zijn voor het doel en ze moeten voldoen aan de juiste beschrijving. Te allen tijden moeten de onderhouds- en servicevoorschriften van de fabrikant worden gevolgd. Raadpleeg bij twijfel de technische afdeling van de fabrikant voor bijstand. De volgende controles moeten worden uitgevoerd op apparatuur die gebruik maakt van ontvlambare koelmiddelen:

- De eigenlijke koelmiddellading hangt af van de afmetingen van de kamer waarin de onderdelen die koelmiddel bevatten, worden geïnstalleerd;
- De ventilatieapparatuur en -uitlaten moeten naar behoren werken en niet zijn geblokkeerd;
- Als een onrechtstreeks koelcircuit wordt gebruikt, moet het hulpcircuit gecontroleerd worden op de aanwezigheid van koelmiddel;
- De markering op de uitrusting moet nog altijd zichtbaar en leesbaar zijn. Markeringen en signalisatie die niet leesbaar zijn, moeten worden gecorrigeerd;
- Koelleidingen en -componenten zijn op een plaats gemonteerd waar de kans klein is dat ze worden blootgesteld aan stoffen die de koelmiddel bevattende componenten kunnen aantasten, tenzij de componenten gemaakt zijn van materialen die inherent resistent zijn tegen corrosie of voldoende beschermd zijn tegen corrosie.

6-9 Controles van elektrische apparaten

Herstellingen en onderhoud van elektrische componenten moeten worden voorafgegaan door veiligheidscontroles en inspectieprocedures van de componenten. Als er een defect aanwezig is die de veiligheid in het gedrang kan brengen, dan mag er geen elektrische voeding aangesloten zijn op het circuit totdat het defect is verholpen. Als het defect niet meteen kan worden verholpen maar de apparatuur moet blijven werken, dan moet er een geschikte tijdelijke oplossing worden gebruikt. Dit moet worden gerapporteerd aan de eigenaar, zodat alle partijen op de hoogte zijn. Als voorafgaande veiligheidscontroles moet men er onder meer voor zorgen:

- dat de condensators ontladen zijn: dit moet op een veilige manier gebeuren om de kans op vonken te vermijden;
- dat er geen onder stroom staande elektrische componenten en bedrading blootgesteld zijn tijdens het vullen, reinigen of ontluichten van het systeem;
- dat de apparatuur altijd geaard is.

7. Herstellingen aan afgedichte componenten

Tijdens reparaties aan afgedichte componenten moeten alle elektrische voedingen worden losgekoppeld van de apparatuur waaraan gewerkt wordt, voordat de afgedichte elektrische voeding naar de installatie wordt verwijderd tijdens de servicewerkzaamheden. Vervolgens moet er een permanent werkende vorm van lekdetectie worden geplaatst op het meest kritieke punt om te waarschuwen in geval van een mogelijk gevaarlijke situatie. Er moet speciale aandacht worden besteed aan de volgende punten om te zorgen dat bij het werken aan elektrische componenten de behuizing niet zodanig wordt gewijzigd dat het beschermingsniveau wordt beïnvloed. Dit is bijvoorbeeld schade aan kabels, een overmatig groot aantal aansluitingen, klemmen die niet gemaakt zijn volgens de originele specificatie, schade aan afdichtingen, onjuiste montering van pakkingbussen enz. Zorg dat de apparatuur stevig gemonteerd is. Zorg dat afdichtingen of afdichtmaterialen niet verslechterd zijn zodat ze niet meer geschikt zijn om te voorkomen dat er ontvlambare atmosferen binnendringen. Vervangingsonderdelen moeten in overeenstemming met de specificaties van de fabrikant zijn.

OPMERKING:

Het gebruik van siliconenafdichtmiddel kan de efficiëntie van bepaalde soorten lekdetectieapparatuur

VEILIGHEIDSVOORSCHRIFTEN

belemmeren. Intrinsiek veilige componenten hoeven niet geïsoleerd te worden voordat er werkzaamheden aan worden verricht.

8. Herstellingen aan intrinsiek veilige componenten

Pas geen permanente inductieve belastingen of capaciteitsbelastingen toe op het circuit zonder te verzekeren dat deze de toelaatbare spanning en stroom voor de gebruikte apparatuur niet zullen overschrijden. Intrinsiek veilige componenten zijn de enige componenten waaraan gewerkt mag worden terwijl ze onder stroom staan in de aanwezigheid van een ontvlambare atmosfeer. De testapparatuur moet de juiste nominale waarden hebben. Vervang componenten alleen door componenten die gespecificeerd zijn door de fabrikant. Andere componenten kunnen leiden tot ontsteking van koelmiddelen in de atmosfeer door een lek.

9. Bekabeling

Controleer of de bekabeling niet blootgesteld is aan slijtage, aantasting, overmatige druk, trilling, scherpe randen of andere negatieve omgevingseffecten. Bij de controle moet ook rekening worden gehouden met de effecten van veroudering of continue trilling van bronnen als compressoren of ventilatoren.

10. Detectie van ontvlambare koelmiddelen

In geen enkel geval mogen er mogelijke ontstekingsbronnen worden gebruikt bij het zoeken naar of de detectie van koelmiddellekken. Een halogeen-lekdetector (of enige andere detector die gebruikmaakt van een open vlam) mag niet worden gebruikt.

10. Lekdetectiemethoden

De volgende lekdetectiemethoden zijn acceptabel voor systemen die ontvlambare koelmiddelen bevatten:

- Er moeten elektronische lekdetectoren worden gebruikt om ontvlambare koelmiddelen te detecteren, maar het kan zijn dat de gevoeligheid niet voldoende is, of dat het apparaat opnieuw moet worden gekalibreerd (Detectieapparatuur moet worden gekalibreerd in een ruimte zonder koelmiddelen)
- Zorg ervoor dat de detector geen mogelijke ontstekingsbron vormt en geschikt is voor het gebruikte koelmiddel.
- Lekdetectieapparatuur moet worden ingesteld op een percentage van het LFL van het koelmiddel en moet worden gekalibreerd voor het gebruikte koelmiddel, waarbij het juiste percentage gas (maximum 25%) wordt bevestigd.
- Lekdetectievloeistoffen zijn ook geschikt voor gebruik met de meeste koelmiddelen; het gebruik van reinigingsmiddelen met chloor moet echter vermeden worden, omdat het chloor kan reageren met het koelmiddel en de koperen leidingen kan aantasten.
- Als er een lek wordt vermoed, moeten alle open vlammen worden weggehaald/gedoofd.
- Als er een koelmiddellek wordt gevonden waarbij een leiding moet worden gesoldeerd, dan moet al het koelmiddel worden verwijderd uit het systeem of worden geïsoleerd (door middel van afsluitkleppen) in een deel van het systeem dat ver weg is van het lek.

11. Verwijdering en afvoer

- Wanneer u het koelcircuit opent om reparaties uit te voeren – of voor enig ander doel, – dan moeten de conventionele procedures worden gebruikt. Het is belangrijk om de beste werkpraktijken te volgen, omdat rekening gehouden moet worden met ontvlambaarheid.

De volgende procedure moet worden nageleefd::

- Verwijder het koelmiddel;
- Spoel het circuit met inert gas;
- Voer dit af;
- Spoel het circuit met inert gas;

VEILIGHEIDSVOORSCHRIFTEN

- Open het circuit door snijden of solderen.

De koelmiddelvulling moet worden opgevangen in de juiste opvangflessen. Het systeem moet worden gespoeld met OFN om het apparaat veilig te maken voor ontvlambare koelmiddelen. Dit proces moet zo nodig meerdere keren worden herhaald. Er mag geen perslucht of zuurstof worden gebruikt voor deze taak. Het spoelen moet worden uitgevoerd door het vacuüm van het systeem te verbreken met OFN; blijf het systeem vullen tot de werkdruk is bereikt, ontlucht naar de atmosfeer, en trek het systeem weer vacuüm. Dit proces moet herhaald worden tot er geen koelmiddel meer aanwezig is in het systeem. Wanneer de laatste OFN-vulling is gebruikt, moet het systeem worden ontlucht tot atmosferische druk om de werkzaamheden te kunnen uitvoeren. Deze procedure is van essentieel belang als er solderingen aan het leidingwerk moeten worden uitgevoerd. Zorg dat de uitlaat voor de vacuümpomp niet in de buurt van mogelijke ontstekingsbronnen ligt, dat er een vacuüm is in het systeem met OFN en dat er ventilatie beschikbaar is.

12. Vulprocedures

Naast de conventionele vulprocedures moet aan de volgende vereisten worden voldaan:

- Zorg dat er geen verontreiniging van verschillende koelmiddelen optreedt bij het gebruik van vulapparatuur.
- Slangen of leidingen moeten zo kort mogelijk zijn, zodat de hoeveelheid koelmiddel erin tot een minimum wordt beperkt.
- Houd flessen in een geschikte positie overeenkomstig de instructies.
- Zorg ervoor dat het koelsysteem geaard is alvorens het systeem met koelmiddel te vullen.
- Etiketteer het systeem als het vullen voltooid is (als dit nog niet gedaan is).
- Wees uitermate voorzichtig dat het koelsysteem niet te vol wordt gevuld. Voordat het systeem opnieuw wordt gevuld, moet het op druk worden getest met OFN.

Het systeem moet worden getest op lekken ná het vullen, maar vóór de inwerkingstelling.

Er moet een verdere lekttest worden uitgevoerd voordat u de locatie verlaat.

13. Buitenwerkingstelling

Voordat deze procedure wordt uitgevoerd, is het van essentieel belang dat de technicus volledig vertrouwd is met de apparatuur en alle details ervan. Het is een aanbevolen goede werkwijze om alle koelmiddelen veilig terug te winnen. Voordat de taak wordt uitgevoerd, moet er een olie- en koelmiddelmonster worden genomen voor het geval er analyse nodig is voor hergebruik van het teruggewonnen koelmiddel. Het is van essentieel belang dat er elektrische stroom beschikbaar is voordat de taak wordt aangevangen.

- Maak uzelf vertrouwd met de apparatuur en de werking ervan.
- Isoleer het systeem elektrisch.
- Voordat u de procedure probeert uit te voeren, moet u ervoor zorgen dat:
 - er mechanische behandelingsapparatuur beschikbaar is, indien nodig, voor het hanteren van flessen koelmiddel;
 - alle persoonlijke beschermingsmiddelen beschikbaar zijn en op de juiste manier worden gebruikt;
 - een deskundig persoon te allen tijde toezicht houdt over het terugwinningsproces;
 - terugwinningsapparatuur en flessen voldoen aan de geldende normen.
- Pomp het koelsysteem leeg, indien mogelijk.
- Als een vacuüm niet mogelijk is, maak dan een verdeelstuk zodat het koelmiddel uit verschillende delen van het systeem kan worden verwijderd.
- Zorg dat de fles op de weegschaal staat voordat de terugwinning plaatsvindt.

VEILIGHEIDSVOORSCHRIFTEN

- g. Start de terugwinningsmachine en bedien deze volgens de instructies.
- h. Vul de flessen niet te vol. (Niet meer dan 80% volume bij vloeibare vulling).
- i. Overschrijd de maximale werkdruk van de fles niet, zelfs niet tijdelijk.
- j. Wanneer de flessen correct gevuld zijn en het proces voltooid is, zorg er dan voor dat de flessen en de apparatuur onmiddellijk van de locatie worden verwijderd en dat alle isolatiekleppen op de apparatuur worden afgesloten.
- k. Teruggewonnen koelmiddel mag niet in een ander koelsysteem worden geladen tenzij het gereinigd en gecontroleerd is.

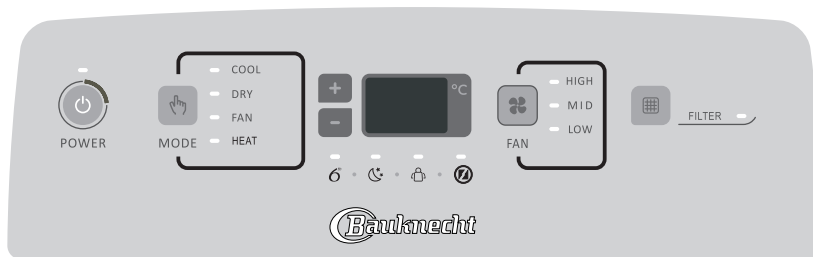
14. Etikettering

De apparatuur moet van een etiket worden voorzien met de vermelding dat hij buiten werking is gesteld en dat het koelmiddel is verwijderd. Het etiket moet worden gedateerd en ondertekend. Zorg dat er etiketten op de apparatuur zijn aangebracht met de vermelding dat de apparatuur ontvlambaar koelmiddel bevat.

15. Terugwinning

Wanneer u koelmiddel uit een systeem verwijderd, voor servicewerkzaamheden of voor buitenwerkingstelling, dan is de aanbevolen werkpraktijk om alle koelmiddelen veilig te verwijderen. Zorg er bij het overhevelen van koelmiddel in flessen voor, dat alleen de juiste flessen voor de terugwinning van koelmiddel worden gebruikt. Zorg ervoor dat het juiste aantal flessen voor de totale lading van het systeem beschikbaar is. Alle te gebruiken flessen moeten ontworpen zijn voor het teruggewonnen koelmiddel en geëtiketteerd zijn voor dat koelmiddel (d.w.z. speciale flessen voor de terugwinning van koelmiddel). Flessen moet een drukontluchtklep hebben met de bijbehorende afsluitkleppen, die in goede staat verkeren. Lege terugwinningsflessen moeten worden geledigd en indien mogelijk gekoeld voordat de terugwinning plaatsvindt. De terugwinningsapparatuur moet in goede staat verkeren met een serie instructies m.b.t. de apparatuur bij de hand, en moet geschikt zijn voor de terugwinning van ontvlambare koelmiddelen. Daarnaast moet er een gekalibreerde weegschaal aanwezig zijn, die in goede staat verkeert. Slangen moeten lekvrije koppelingen hebben en in goede staat zijn. Voordat u de terugwinningsmachine gebruikt, dient u te controleren of deze in goede werkstaat verkeert, dat de machine op de juiste manier is onderhouden en dat eventuele bijbehorende elektrische componenten afgedicht zijn ter voorkoming van ontsteking in het geval dat er koelmiddel vrijkomt. Raadpleeg bij twijfel de fabrikant. Het teruggewonnen koelmiddel moet worden teruggestuurd naar de leverancier in de correcte terugwinningsfles en met het relevante ingevulde Afvaloverdrachtsformulier. Meng geen koelmiddelen in terugwinningsunits en vooral niet in flessen. Als er compressoren of compressoroliën moeten worden verwijderd, zorg er dan voor dat ze tot een acceptabel niveau zijn afgevoerd zodat er geen ontvlambaar koelmiddel in het smeermiddel achterblijft. Het evacuatieproces moet worden uitgevoerd voordat de compressor wordt teruggestuurd aan de leverancier. Er mag alleen elektrische verwarming worden gebruikt op de compressorbehuizing om dit proces te versnellen. Wanneer de olie wordt afgevoerd uit een systeem, moet dit op een veilige manier gebeuren. Wanneer u de airconditioner verplaatst of verhuist, raadpleeg dan ervaren servicemonteurs om de unit los te koppelen en opnieuw te installeren. Plaats geen andere elektrische producten of huishoudelijke eigendommen onder de binnen- of buitenunit. De condensatie van de unit kan op uw eigendom druppelen en zo beschadigingen of defecten veroorzaken. Houd de ventilatieopeningen van het apparaat vrij van obstakels. Het apparaat moet worden opgeslagen in een goed geventileerde ruimte waarbij de kamerafmetingen overeenkomen met de kamerafmetingen die zijn voorgeschreven voor het gebruik van de machine. Het apparaat moet worden opgeslagen in een kamer zonder voortdurend werkzaam open vuur (bijvoorbeeld een werkzaam gasapparaat) en ontstekingsbronnen (bijvoorbeeld een werkzaam elektrisch verwarmingsapparaat). Herbruikbare mechanische aansluitingen en flare-verbindingen zijn verboden.

Gebruikersinterface



Neem uw airconditioner in gebruik



POWER

1. Druk op de ON/OFF-toets (Aan- en uittoets) om uw apparaat in of uit te schakelen.



MODE

2. Druk op de Mode-toets (Modustoets) om de bedrijfsmodus te kiezen in de volgorde Koelen, Drogen, Ventilator of Verwarmen.



3. Druk op de toets voor het wijzigen van de temperatuur om de gewenste temperatuur in te stellen.



FAN

4. Druk op de FAN-toets (Ventilatoroets) om het gewenste ventilatoroerental te kiezen in de volgorde van Hoog, Gemiddeld of Laag.



Filterreset

1. Wanneer het indicatorlampje van de filterreset brandt, verwijder, reinig en vervang het luchtfilter. Zie "Reiniging van het luchtfilter".
2. Druk, nadat het luchtfilter is vervangen, op de FILTER button (Filtertoets) en laat hem weer los.

OPMERKING: Nadat de ventilator 360 uur gebruikt is, begint het indicatorlampje van het filter te branden. Het blijft gedurende 180 uur branden of totdat u op de FILTER button (Filtertoets) drukt.

Na 180 uur zal het automatisch uitgaan.

OPMERKING:

- * Wanneer de airconditioner voor de eerste keer wordt ingeschakeld nadat de stekker is ingestoken, staat het apparaat in de modus 6th Sense (Zesde zintuig).
- * Het display van de airconditioner geeft de ingestelde temperatuur weer.
Alleen in stand-bymodus geeft het display de omgevingtemperatuur weer.
- * Wanneer er van modus veranderd wordt terwijl de airconditioner in werking is, wordt de compressor gedurende 3 of 5 minuten uitgeschakeld om vervolgens weer te worden ingeschakeld.
Als er gedurende deze tijd op een toets wordt gedrukt, zal de compressor pas na 3 of 5 minuten extra weer worden ingeschakeld.
- * In de modi Koelen of Drogen zullen de compressor en condenserventilator worden uitgeschakeld zodra de kamertemperatuur de ingestelde temperatuur bereikt
- * In de modus Alleen ventilator kan de temperatuur NIET worden ingesteld.
- * Verwarmen is NIET beschikbaar op een airconditioner van het type "Alleen koelen".
- * De onderstaande werkmodi kunnen enkel met de afstandsbediening worden ingesteld.

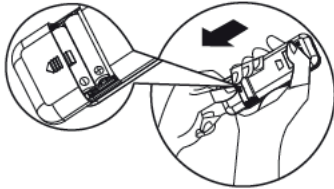


- * Na een stroompanne zal uw airconditioner met dezelfde instellingen beginnen werken als die van het moment dat de stroom uitviel.
- * Indien uw unit in een UNLIKELY VERY HUMIDITY (ONWAARSCHIJNLIJKE ZEER VOCHTIGE) omgeving werkt, dan zal er water worden opgevangen in de tank in de unit. De airconditioner stopt met werken zodra de watertank vol is en op het display zal "E5" worden weergegeven om u te vragen het interne reservoir leeg te maken. Achteraan het apparaat bevindt zich een plastic leiding. Verplaats het apparaat naar een veilige plek en leg de plastic leiding neer om het water af te voeren.

Afstandsbediening

Stop de batterijen in de afstandsbediening

1. Duw zachtjes met een pen op het batterijdeksel en duw het in de door de pijl aangegeven richting om het deksel te verwijderen, zoals afgebeeld.
2. Plaats 2 AAA-batterijen (1,5V) in het vakje. Zorg ervoor dat de polariteiten "+" en "-" correct geplaatst zijn.
3. Sluit het batterijdeksel op de afstandsbediening.



• Standaardinstelling afstandsbediening

Telkens de batterijen van de afstandsbediening worden vervangen, keert de afstandsbediening terug naar de standaardinstelling, namelijk die van de modus Heat Pump (Warmtepomp). De afstandsbediening van de airconditioner met warmtepomp kan worden gebruikt om airconditionermodellen van het type "Alleen koelen" te bedienen.

- De afstandsbediening kan de airconditioner bedienen vanop een maximumafstand van 7 m.

Opmerking: gelieve de instructies te volgen die overeenkomen met de afstandsbediening die u heeft ontvangen om de airconditioner te bedienen.

Funcatiebeschrijving van de toetsen

1. TOETS ON / OFF

Met deze toets schakelt u het apparaat in en/of uit.

2. MODE-TOETS (MODUSTOETS)

Met deze toets kiest u de bedrijfsmodus.

3. FAN-TOETS (VENTILATORTOETS)

Met deze toets kiest u het ventilatortoerental in de volgorde automatisch, hoog, gemiddeld of laag.

4-5. TEMPERATURE-TOETS (TEMPERATUURTOETS)

Met deze toets kiest u de kamertemperatuur. U gebruikt de toets om de tijd in de timermodus en de klok in te stellen.

6. 6th SENSE-TOETS (TOETS ZESDE ZINTUIG)

Met deze toets wordt de werking van 6th Sense (Zesde zintuig) in- of uitgeschakeld. In deze modus worden de temperatuur en het ventilatortoerental automatisch ingesteld op basis van de eigenlijke kamertemperatuur.

7. SWING-TOETS (ZWENKTOETS)

Met deze toets kan de horizontale beweging van de lamellen worden uit- of ingeschakeld en ook kan de gewenste luchtstroomrichting omhoog/omlaag worden ingesteld.

8. SLEEP-TOETS (SLAAPTOETS)

1) Door deze toets kortstondig in te drukken, wordt de modus Sleep (Slapmodus) in- of uitgeschakeld.

De modus Sleep kan worden ingesteld in de modus Koelen, Verwarmen of Drogen.

Deze functie zorgt voor een meer comfortabele omgeving om in te slapen.

2) Door deze toets lang in te drukken (3 seconden), schakelt u de displayverlichting op de unit aan of uit.

9. AROUND U-TOETS (OMGEVINGSTOETS)

Met deze toets schakelt u de functie Around U (Omgeving) in of uit. Wanneer u deze toets indrukt, geeft de afstandsbediening de eigenlijke kamertemperatuur in de omgeving van de afstandsbediening door aan de binnenunit, en het apparaat zal overeenkomstig deze temperatuur werken zodat u zich meer comfortabel voelt.

10. TIMER-TOETS

U gebruikt de toets ook om in te stellen wanneer het apparaat moet inschakelen of om deze opdracht te annuleren.

U gebruikt de toets om in te stellen wanneer het apparaat moet uitschakelen of om deze opdracht te annuleren.

11. SILENT-TOETS (TOETS STILLE FUNCTIE)

Met deze toets schakelt u de functie Silent (Stille functie) in of uit. Druk op de Silent-toets om de unit op een lager geluidsniveau te laten werken voor een stille en comfortabele kameromgeving.

Opmerking: Bij extreme omgevingsomstandigheden merkt u mogelijk een tijdelijke en kleine toename in het lawaai omdat de comfortabele temperatuur snel moet worden bereikt.

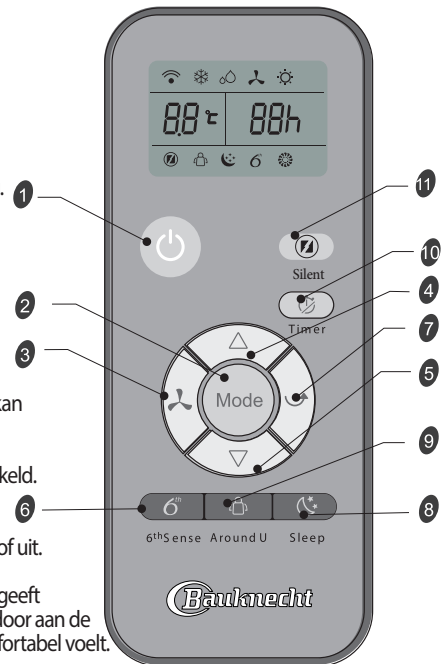
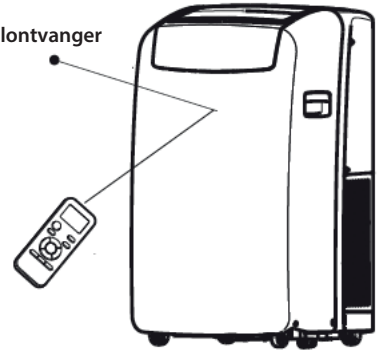
Symbolen op display van afstandsbediening

	Indicatorlampje koeling		Automatisch ventilatortoerental		Indicatorlampje 6th Sense (Indicatorlampje Zesde zintuig)		Signaalverzending
	Indicatorlampje Dry (Indicatorlampje Droog)		Hoog ventilatortoerental		Indicatorlampje Sleep (Slapindicatorlampje)		Display Timerinstelling
	Indicatorlampje Fan only (Indicatorlampje Alleen ventilator)		Gemiddeld ventilatortoerental		Indicatorlampje Around U (Indicatorlampje Omgeving)		Display Temperatuurinstelling
	Indicatorlampje Heating (Verwarmingsindicatorlampje)		Laag ventilatortoerental		Indicatorlampje Silent (Indicatorlampje Stille functie)		

Gebruik de afstandsbediening om het apparaat te bedienen

- Om het apparaat met de afstandsbediening in werking te stellen, richt u de afstandsbediening op de ontvanger op de binnenunit om de gevoeligheid van ontvangst te garanderen.
- Wanneer een opdracht verzonden wordt met de afstandsbediening, knippert het symbool gedurende 1 seconde. Bij ontvangst van de opdracht zendt het apparaat een pieptoon uit.

Signaalontvanger



Onderhoud

De airconditioner aflaten

(Gelieve de afvoerslang aan te sluiten in de verwarmingsmodus, anders zal de unit stoppen met werken nadat het waarschuwingsniveau is bereikt.)

1. Druk op de ON/OFF-toets (AAN- EN UITTOETS) om de airconditioner uit te schakelen.
2. Trek de stekker van de airconditioner uit of onderbreek de stroomtoevoer.
3. Verplaats het apparaat voorzichtig en stabiel naar een afvoer plaats of buiten om het water af te voeren. Verplaats de unit niet voordat het water volledig is afgevoerd.
4. Verwijder de secundaire afvoerplug en voer al het water af.
5. Verwijder de hoofdafvoerslang uit de slangenklem. Verwijder de afvoerslangplug aan het uiteinde van de hoofdafvoerslang en voer het water volledig af.

OPMERKING: Om de airconditioner na gebruik op te slaan, zie "Opslaan na gebruik".

6. Breng de plug van de afvoerslang en de secundaire afvoerplug weer aan.
7. Bevestig de hoofdafvoerslang weer aan de klem van de afvoerslang.
8. Zet de airconditioner weer op zijn plaats.
9. Steek de stekker van de airconditioner weer in en schakel de stroomtoevoer weer in.
10. Druk op de ON/OFF-toets (AAN- EN UITTOETS) om de airconditioner in te schakelen.

Reiniging van het luchtfilter

1. Druk op de ON/OFF-toets (AAN- EN UITTOETS) om de airconditioner uit te schakelen.
2. Open het luik van het filterpaneel aan de achterzijde van de airconditioner en verwijder het.
3. Verwijder het luchtfilter van het luik van het filterpaneel.
4. Reinig het filter met een stofzuiger. Als het filter heel vuil is, was het dan in warm water met zacht reinigingsmiddel.

OPMERKING: Was het filter niet in de vaatwasser of met chemische reinigingsmiddelen.

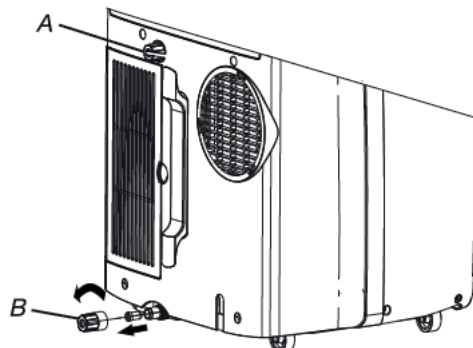
5. Droog het filter volledig met lucht voor maximale efficiëntie alvorens het terug aan te brengen.
6. Breng het luchtfilter terug aan op het luik van het filterpaneel.
7. Breng het luik van het filterpaneel terug aan.
8. Druk op de ON/OFF-toets (AAN- EN UITTOETS) om de airconditioner in te schakelen.

Reiniging van de buitenkant

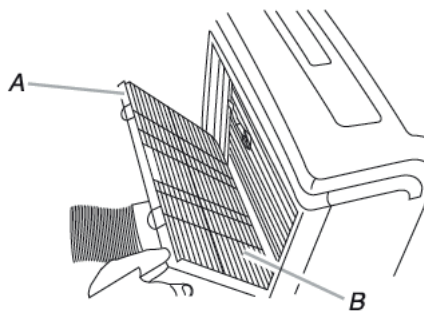
1. Trek de stekker van de airconditioner uit of onderbreek de stroomtoevoer.
2. Verwijder het luchtfilter en reinig het apart. Zie "Reiniging van het luchtfilter."
3. Reinig de buitenkant van de airconditioner met een zachte vochtige doek.
4. Steek de stekker van de airconditioner weer in en schakel de stroomtoevoer weer in.
5. Druk op de ON/OFF-toets (AAN- EN UITTOETS) om de airconditioner in te schakelen.

Verwerking van de batterijen

Om natuurlijke grondstoffen te beschermen en hergebruik van materiaal te promoten vragen we u de batterijen te scheiden van andere soorten afval en ze te recyclen via het inzamelpunt waar u uw batterijen gratis kunt inleveren.



A. Secundaire afvoerplug
B. Afvoerslangplug



A. Luik van het filterpaneel
B. Luchtfilter

Opslaan na gebruik

1. Voer het water af (zie "De airconditioner aflaten")
2. Laat de airconditioner gedurende ongeveer 12 uur aanstaan in de modus Alleen ventilator om de airconditioner te drogen.
3. Trek de stekker van de airconditioner uit.
4. Verwijder de flexibele uitlaatslang en sla ze op met de airconditioner in een schone, droge ruimte. Zie "Installatiehandleiding."
5. Verwijder de raamkit en sla hem op met de airconditioner in een schone droge ruimte. Zie "Installatiehandleiding."
6. Verwijder en reinig het filter. Zie "Reiniging van het luchtfilter."
7. Reinig de buitenkant van de airconditioner. Zie "Reiniging van de buitenkant."
8. Breng het filter weer aan.
9. Verwijder de batterijen en berg de afstandsbediening op bij de airconditioner in een schone, droge ruimte.

Installatiehandleiding

Gereedschappen en onderdelen

Verzamel de benodigde gereedschappen en onderdelen alvorens over te gaan tot de installatie. Lees en volg de instructies die geleverd zijn bij de gereedschappen die hier vermeld worden.

1. Benodigd gereedschap

- Kruisschroevendraaier
- Zaag
- Draadloze boor en 1/8"-boorstift
- Schaar
- Potlood

2. Geleverde onderdelen

Het bedrijf voorziet slechts één plan om de plaatselijke airconditioner te installeren. Zie "Installatie van plaatselijke airconditioner".

Locatievereisten

OPMERKINGEN:

- Door de flexibele uitlaatslang kan de airconditioner tussen 23 1/2" en 67" (60 cm en 170 cm) van een raam of deur worden geplaatst.

Het apparaat met bijkomend verwarmingsapparaat moet op een afstand van minstens 100 cm van ontvlambaar oppervlakken worden geplaatst.

Het apparaat moet worden geïnstalleerd, bediend en opgeslagen in een kamer met een vloeroppervlakte groter dan 14.5 m² en hoger dan 2,2 m.

Plaatselijke airconditioners zijn ontworpen als bijkomende koeling voor plaatselijke ruimtes in een kamer.

- Om een goede ventilatie te garanderen, moet de afstand van de retourluchtuitlaat tot de muur of andere obstakels minstens 23 1/2" (60 cm) zijn.
- Blokkeer de luchtuitlaat niet.
- Zorg voor een eenvoudige toegang tot een geaard stopcontact.

Elektrische vereisten

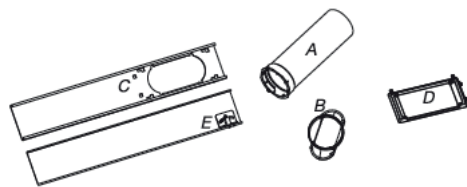
- De plaatselijke airconditioner moet zijn aangesloten op een geaard stopcontact met 220-240V / 50Hz en uitgerust met een zekering van 20 A.
- Er wordt aangeraden een zekering met een vertraging of installatieautomaat met een vertraging te gebruiken.
- Alle bedrading moet voldoen aan de plaatselijke en nationale elektrische voorschriften en moet door een gekwalificeerd elektricien worden geïnstalleerd. Als u vragen heeft, neem dan contact op met een gekwalificeerd elektricien.

Gebruik uw stroomtoevoerkabel:

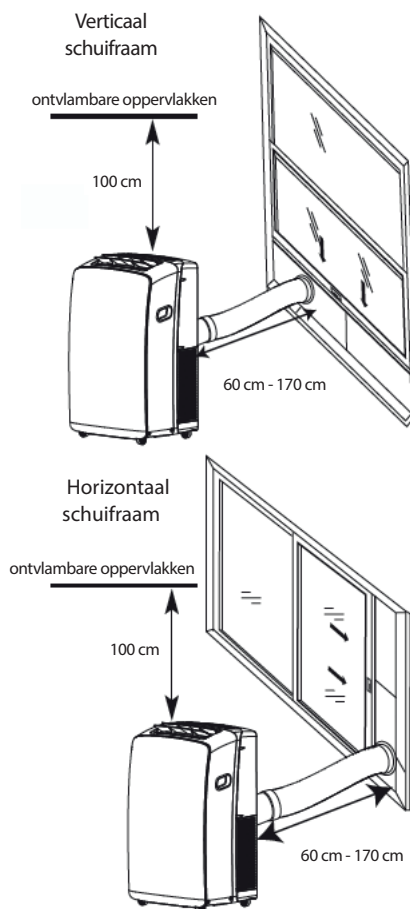
Steek de stroomtoevoerkabel in een geaard stopcontact.

OPMERKINGEN:

- Een beschadigde voedingskabel moet worden vervangen door een nieuwe voedingskabel van de fabrikant van het product en mag niet worden hersteld.
- Bedrijfstemperatuur voor koelen 21°C - 35°C
Bedrijfstemperatuur voor verwarmen 7°C - 27°C



- A. Flexibele uitlaatslang
- B. Passtuk raamuitlaat
- C. Buitenste schuifgedeelte
- D. Regenscherm
- E. Binnenste schuifgedeelte



Probleemoplossing

Bedrijfsproblemen hebben vaak kleinschalige oorzaken. Gelieve de volgende tabel na te kijken en te raadplegen alvorens contact op te nemen met de klantenservice. Zo bespaart u mogelijk tijd en onnodige onkosten.

Probleem	Analyse
Airconditioner werkt niet	<ul style="list-style-type: none">• De stroomtoevoerkabel zit niet in het stopcontact. Steek hem in een geaard stopcontact. Zie "Elektrische vereisten."• Er is een huishoudzekeringsgesprongen of een installatieautomaat werd ingeschakeld. Vervang de zekering of reset de installatieautomaat. Zie "Elektrische vereisten."• De On/Off-toets (Aan- en uittoets) is niet ingedrukt. Druk op de ON/OFF-toets (Aan- en uittoets).• Er is een defect in de plaatselijke stroomtoevoer. Wacht tot er weer stroom is.• De gebruikte zekering met een vertraging of installatieautomaat met een vertraging heeft de verkeerde capaciteit. Vervang de zekering of de installatieautomaat met een exemplaar met een vertraging met de juiste capaciteit. Zie "Elektrische vereisten."
Door de airconditioner springen er zekeringen of worden er installatieautomaten ingeschakeld	<ul style="list-style-type: none">• Er worden te veel apparaten gebruikt op eenzelfde circuit. Onderbreek de stroomtoevoer naar apparaten op hetzelfde circuit of verplaats ze.• U probeert de airconditioner te snel weer in te schakelen nadat u hem had uitgeschakeld. Wacht minstens 3 minuten na de uitschakeling van de airconditioner alvorens hem weer in te schakelen.• U hebt gewisseld van modus. Wacht minstens 3 minuten na de uitschakeling van de airconditioner alvorens hem weer in te schakelen.
Airconditioner lijkt te vaak aan te staan	<ul style="list-style-type: none">• Staat er een deur of een raam open? Houd deuren en ramen gesloten.• In koelmodus: de airconditioner bevindt zich in een volle ruimte of er zijn apparaten die warmte produceren werkzaam in de kamer. Gebruik afzuigventilatoren tijdens het koken of het baden en probeer geen apparaten die warmte produceren te gebruiken tijdens het warmste gedeelte van de dag. Plaatselijke airconditioners zijn ontworpen als bijkomende koeling voor plaatselijke ruimtes in een kamer. Een airconditioner met een grotere capaciteit is mogelijk nodig afhankelijk van de grootte van de kamer die wordt gekoeld.• In verwarmmodus: de airconditioner bevindt zich in een erg koele kamer. Plaatselijke airconditioners zijn ontworpen als bijkomende koeling voor plaatselijke ruimtes in een kamer. Een airconditioner met een grotere capaciteit is mogelijk nodig afhankelijk van de grootte van de kamer die wordt verwarmd.
De airconditioner werkt maar even, maar de kamer is koel noch heet	<ul style="list-style-type: none">• De ingestelde temperatuur verschilt weinig van de kamertemperatuur. Verlaag of verhoog de ingestelde temperatuur. Zie "Bedrijfsmodusbeschrijving".
Foutcode display	<ul style="list-style-type: none">• Als de unit foutcode E5 meldt, is het waterreservoir van de unit vol en moet u het water afvoeren, zie "De airconditioner aflaten". Na het aflaten kan u de unit inschakelen.• Als de unit foutcode E1/E2/E3/E6/E7/EA meldt, gelieve dan de klantendienst te contacteren.
Airconditioner staat aan maar koelt/verwarmt niet	<ul style="list-style-type: none">• Het filter is vuil of geblokkeerd door afval. Reinig het filter.• De luchtuitlaat is geblokkeerd. Maak de luchtuitlaat vrij.• De ingestelde temperatuur is niet compatibel. In koelmodus: de ingestelde temperatuur is te hoog. Verlaag de ingestelde temperatuur. In verwarmmodus: de ingestelde temperatuur is te laag. Verhoog de ingestelde temperatuur
De airconditioner schakelt te vaak in en uit	<ul style="list-style-type: none">• De airconditioner heeft niet de juiste capaciteit voor uw kamer. Controleer de koel- en verwarmmogelijkheden van uw plaatselijke airconditioner. Plaatselijke airconditioners zijn ontworpen als bijkomende koeling voor plaatselijke ruimtes in een kamer.• Het filter is vuil of geblokkeerd door afval. Reinig het filter.• In de koelmodus is er te veel warmte of vocht (onbedekte kookpotten in gebruik, douches, enz.) in de kamer. Gebruik een ventilator om warmte of vocht uit de kamer te verwijderen. Probeer geen apparaten die warmte produceren te gebruiken tijdens het warmste gedeelte van de dag. In de verwarmmodus is de omgevingstemperatuur te hoog. Gebruik uw airconditioner niet wanneer de omgevingstemperatuur te hoog is.• De lamellen zijn geblokkeerd. Installeer de airconditioner op een plek waar de lamellen niet gehinderd worden door gordijnen, jaloezieën, meubels, enz.• De buitentemperatuur bedraagt minder dan 18°C. Probeer uw airconditioner niet in de cooling mode te gebruiken wanneer de buitentemperatuur minder dan 18°C bedraagt.

Opmerking: Als de problemen zich blijven voordoen, schakelt u het apparaat uit en ook de stroomtoevoer. Daarna neemt u contact op met de dichtstbijzijnde Erkende Klantenservice van Whirlpool. Probeer niet het apparaat zelf te verplaatsen, uit elkaar te halen of aanpassingen uit te voeren.

KLANTENSERVICE

Voordat u contact opneemt met de Klantenservice:

1. Probeer het probleem zelf op te lossen op basis van de beschrijvingen in de "Probleemoplossing".
2. Schakel het apparaat uit en vervolgens weer in om te kijken of de storing nog steeds optreedt.

Als de storing na bovengenoemde controles aanhoudt, neem dan contact op met de Klantenservice.

Geef het volgende:

- een korte beschrijving van de storing;
- het exacte model van de airconditioner;
- het servicenummer (dit is het nummer onder het woord Service op de servicesticker die is aangebracht op de zij- of de onderkant van de binnenunit).
- Het servicenummer staat ook vermeld in het garantieboekje;
- uw volledige adres;
- uw telefoonnummer.

Als er reparatiewerkzaamheden moeten worden verricht, neem dan contact op met de **Klantendienst** (Het gebruik van originele onderdelen en een correcte reparatie worden gegarandeerd).

U moet de originele factuur voorleggen.

Het niet opvolgen van deze instructies kan nadelige gevolgen hebben voor de veiligheid en de kwaliteit van het apparaat.

SERVICE 0000 000 00000



Opmerking: als u de volledige gebruiksaanwijzing van uw apparaat wil, kan u die downloaden op de website door de onderstaande link te volgen: docs.Bauknecht.eu a.d.h.v. de QR-code

**Whirlpool EMEA
Via Pisacane 1
20016 PERO (MI) ITALY**

